

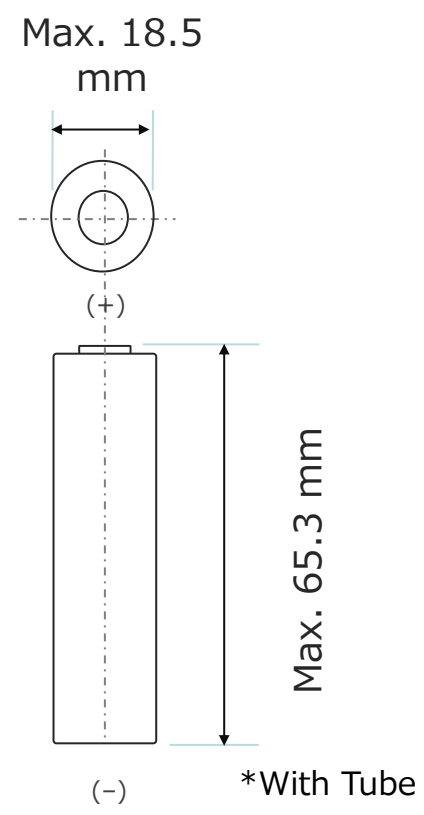
# NCR18650GA data sheet

---

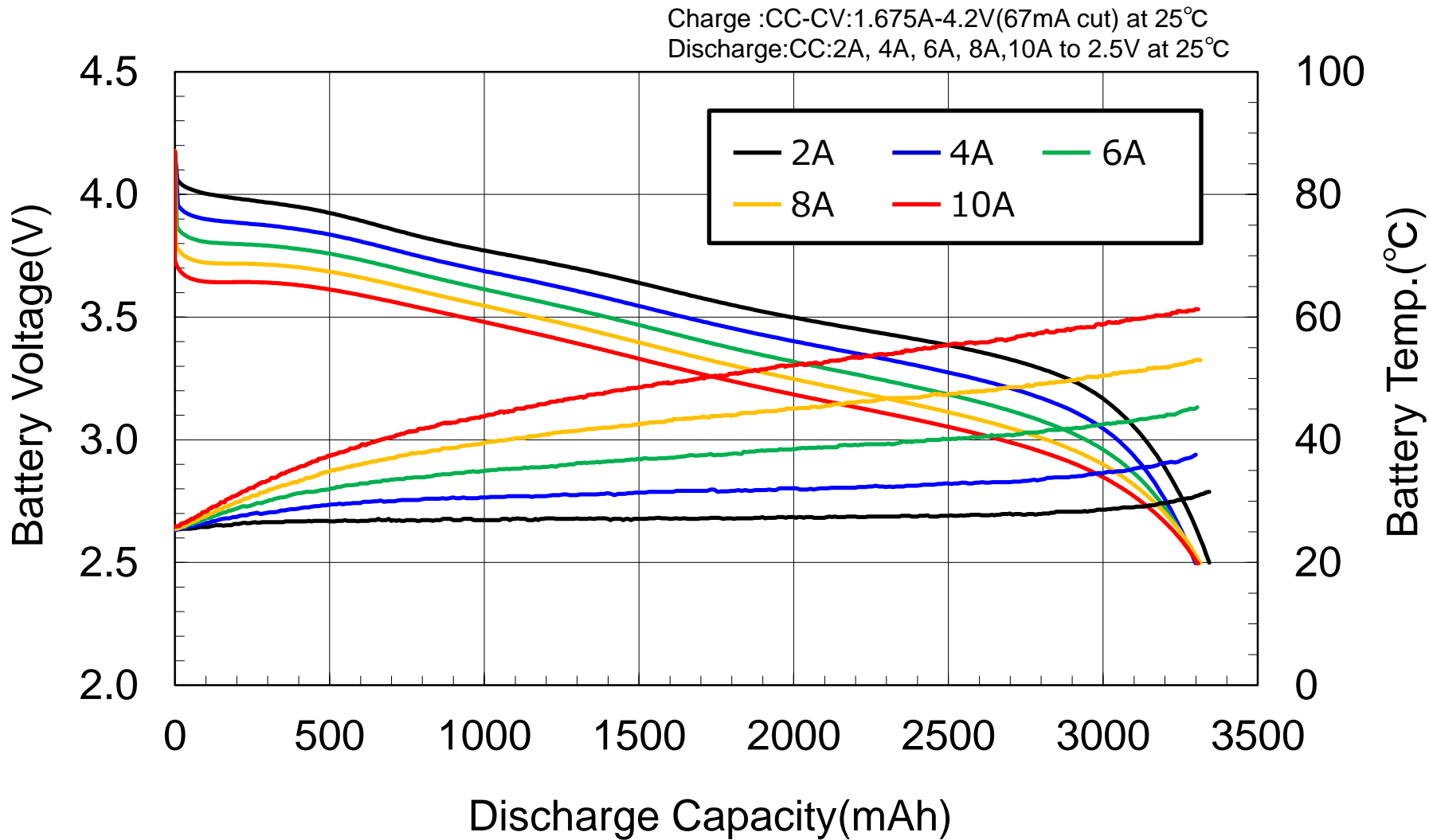
Automotive & Industrial Systems Company of Panasonic Group  
Rechargeable Battery Business Division, SANYO Electric Co., Ltd.

		NCR18650GA
Capacity (mAh)	Rated. (Min. at 20°C)	3300
	Min. at 25°C	3350
	Typ. at 25°C	3450
Voltage (V)		3.6
Charge Method		CC - CV
Charge Current(A)		1.67 (0.5C)
Max Discharge Current (A)*		8
Temp	Charge	+10 ~ +45°C
	Discharge	-20 ~ +60°C
Weight(max.) (g) with Tube		49.5
Dimension(max.) With tube	Diameter (mm)	18.5
	Height (mm)	65.3

### Dimension



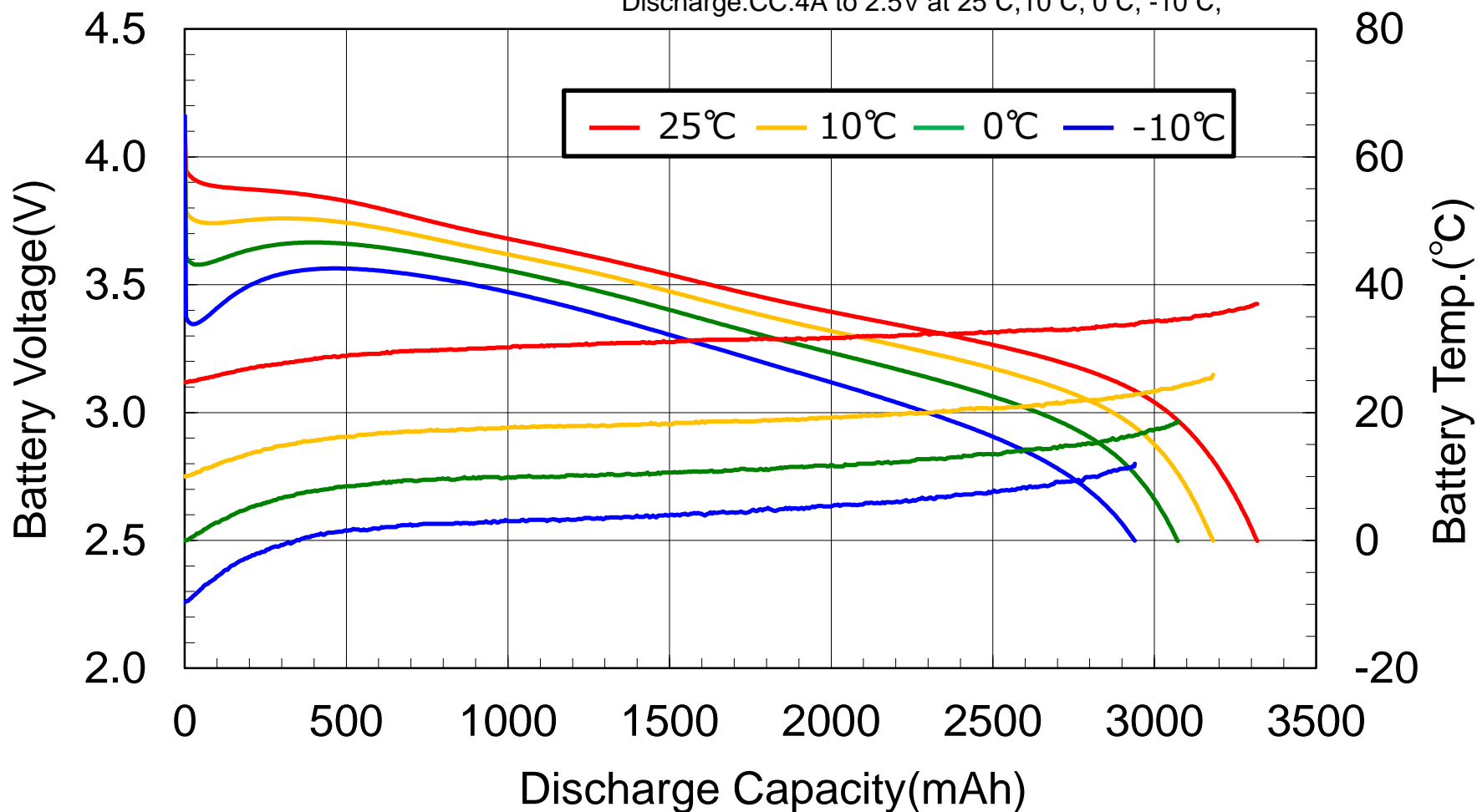
\* Cycle characteristics expect more than 60% at 300 cycle.



## Discharge temp characteristics (4A)

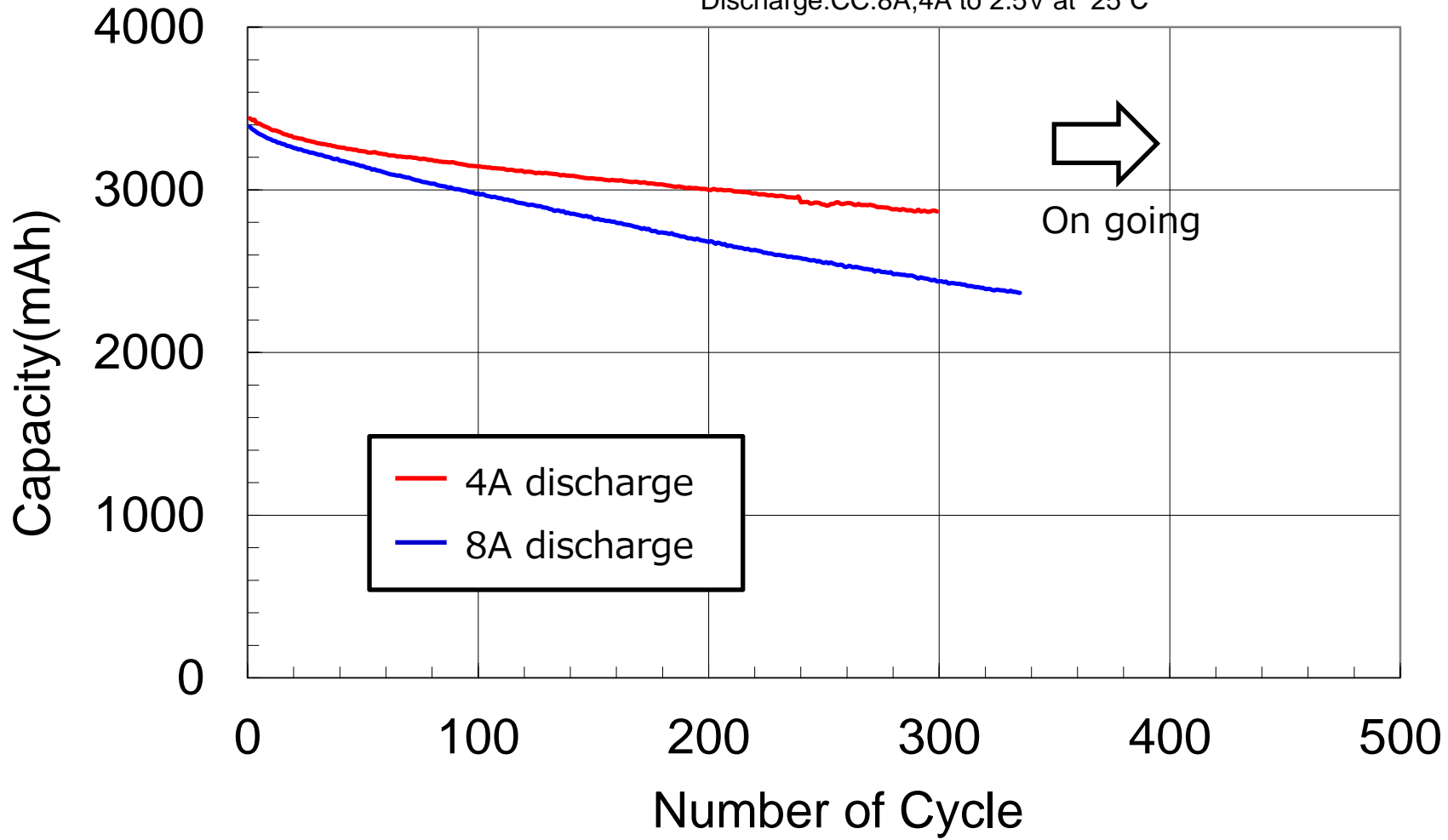
## 4A Discharge@-10,0,10,25°C

Charge :CC-CV:1.675A - 4.2V(67mA cut) at 25°C  
 Discharge:CC:4A to 2.5V at 25°C,10°C, 0°C, -10°C,



### 4A, 8A Discharge @25°C

Charge :CC-CV:1.005A- 4.2V(100mA cut) at 25°C  
Discharge:CC:8A,4A to 2.5V at 25°C



<Remark> These values are not guaranteed values.