

PARAMETERS

- Input: 5V
- Micro USB IN
- Charging time: 6 hours
- USB Output 1&2:
combined 3A
- Weight: 157g
- Dimensions: (L*H*W)
135 x 64 x 15mm
- Battery capacity: 6000mAh
- Power: 22Wh
- Battery chemistry:
Lithium Polymer
- Battery cycle times:
>500 cycles
- 4 LED battery level
indicator. Each blue light
represents 25% of charge

Tips are available to buy at:
powertraveller.com

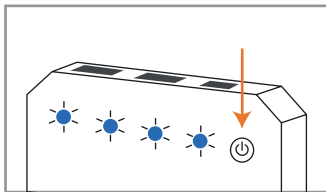


DISCOVERY SLEEK COMPACT STYLISH CHARGER USER GUIDE

YOU CAN: CHARGE TABLETS SMARTPHONES
GOPROS GPS SMART WATCHES HEAD LAMPS
AND MORE



TURN ON/OFF

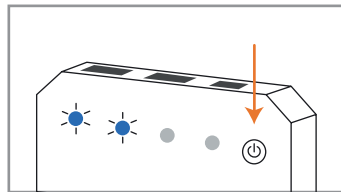


When connecting a device, the discovery will automatically turn on. The blue LEDs will light up. Each illuminated light represents 25% of power. When disconnecting a device, the discovery will automatically turn off.

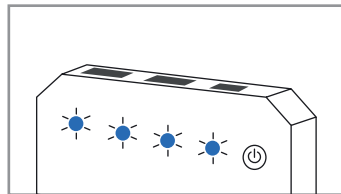
For the auto-on feature, press and hold the on/off button for 3 seconds.

Always turn the discovery off when not in use to conserve power. To turn the auto-on feature off, hold the on/off button for 3 seconds.

CHECK CHARGE

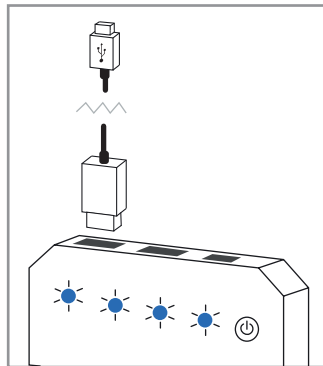


While the discovery is turned off, click the on/off button briefly. The blue LEDs will illuminate and the number of lights will indicate the amount of charge remaining.



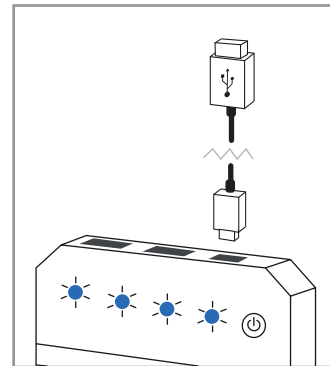
If the far left flashes blue, the discovery requires charging.

CHARGE A DEVICE



Attach any USB cable to either of the USB output sockets. Then connect the cable to the device that you wish to charge. Once your device is fully charged, the discovery will automatically turn off.

RECHARGING DISCOVERY



Connect the included cable to a 5V USB output socket (e.g. a laptop or wall plug with USB socket) and connect the micro USB end into the micro USB socket on the discovery. A full charge will take approx. 6 hours depending on the output of the USB port.

When fully charged, all 4 LEDs will be solid blue.