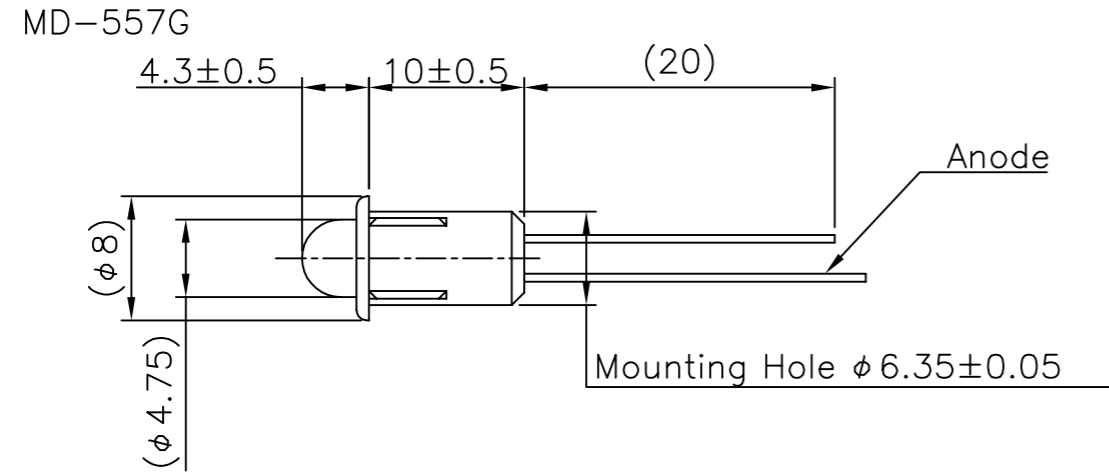
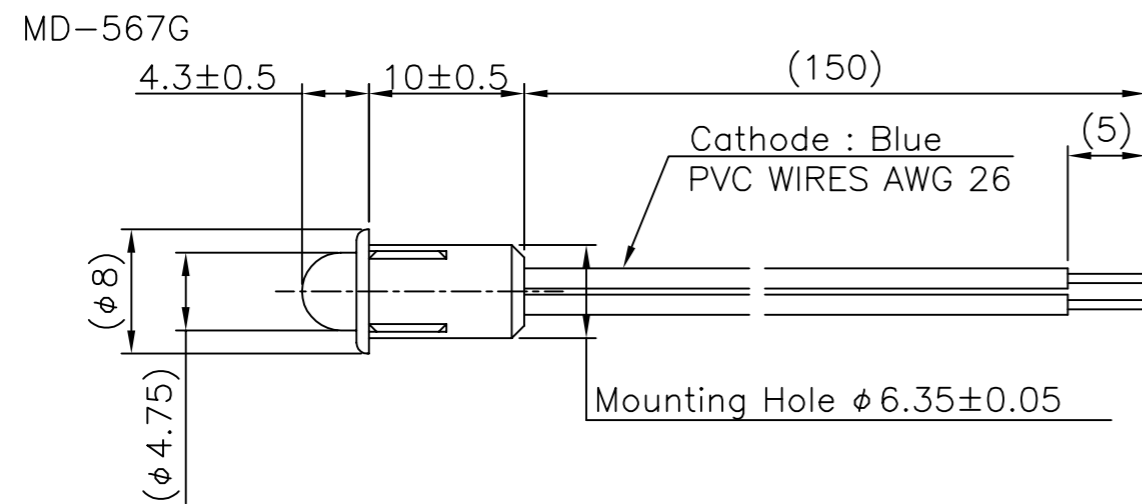


REVISIONS			
LET	DESCRIPTION	BY	DATE

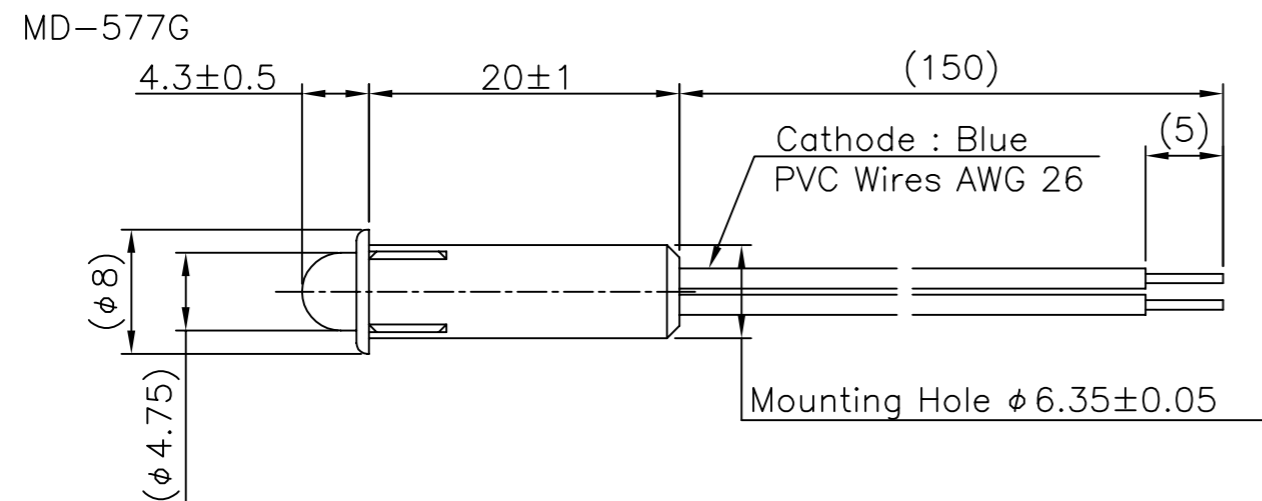


Part Number	Voltage (V)	Emitting color	Peak wave length λP (nm)	Forward Voltage @ 20mA (V)	
				[Min.]	[Max.]
MD-557G(2021)	Non Resistor	Green	565	1.7	2.6

Part Number	Voltage (V)	Emitting color	Peak wave length λP (nm)	Forward Voltage @ 20mA (V)	
				[Min.]	[Max.]
MD-567G(2021)	Non Resistor	Green	565	1.7	2.6



Part Number	Voltage (V)	Emitting color	Peak wave length λP (nm)	Anode(+)	Cathode(-)
				Color of the covered wire	Color of the covered wire
MD-577G1(2021)	5 - 6	Green	565	Green	Blue
MD-577G2(2021)	12 - 14			Red	
MD-577G3(2021)	24 - 28			Black	



SCALE	UNIT	MATERIAL
—	m.m	
TITLE		DATE
LED Indicator MD-557/567/577		210921
		Oshino Lamps Limited SHINAGAWA, TOKYO, JAPAN
DRAWN	CHECKED	APPROVED
T.I	T.H	T.I
D. W. G. NO.	100237	REV.