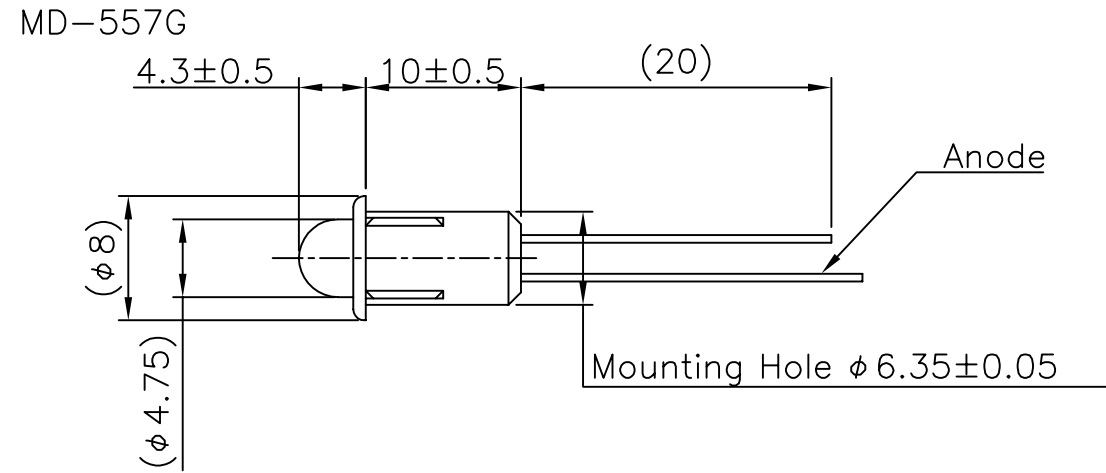
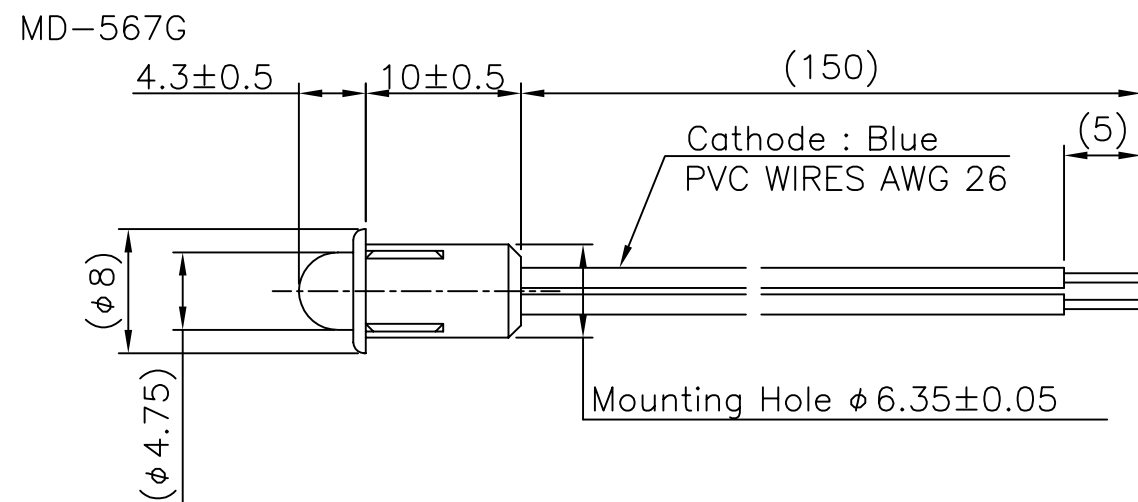


REVISIONS			
LET	DESCRIPTION	BY	DATE

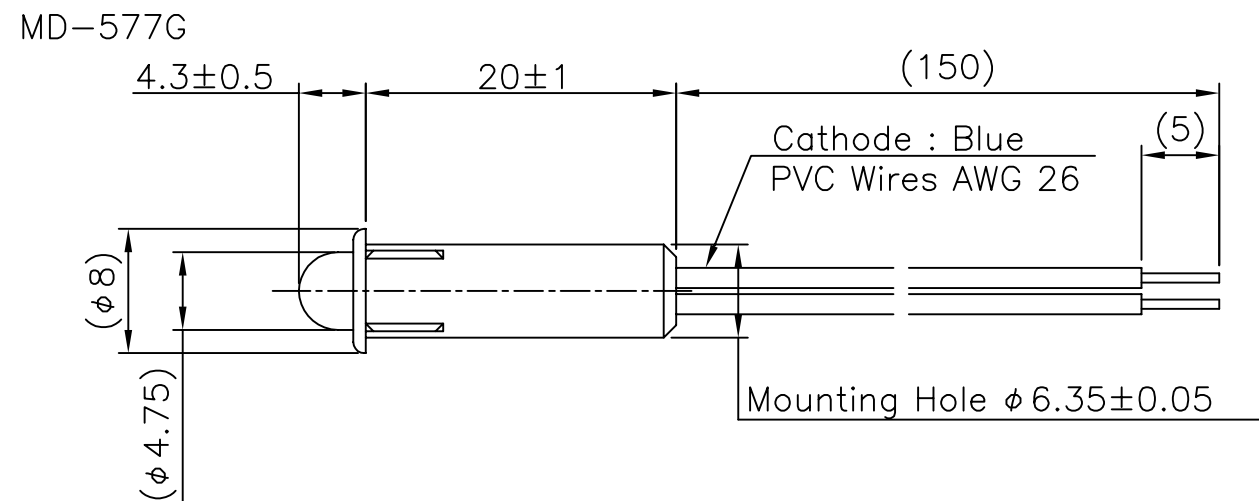


Part Number	Voltage (V)	Emitting color	Peak wave length λP (nm)	Forward Voltage @ 20mA (V)	
				[Min.]	[Max.]
MD-557G	Non Resistor	Green	565	1.7	2.6

Part Number	Voltage (V)	Emitting color	Peak wave length λP (nm)	Forward Voltage @ 20mA (V)	
				[Min.]	[Max.]
MD-567G	Non Resistor	Green	565	1.7	2.6



Part Number	Voltage (V)	Emitting color	Peak wave length λP (nm)	Anode(+) Color of the covered wire	Cathode(-) Color of the covered wire
MD-577G1	5 - 6	Green	565	Green	Blue
MD-577G2	12 - 14	Green	565	Red	Blue
MD-577G3	24 - 28	Green	565	Black	Blue



SCALE	UNIT	MATERIAL
—	m.m	
TITLE		DATE
LED Indicator MD-557/567/577		210921
DRAWN		APPROVED
T.I	T.H	T.I
D. W. G. NO.		REV.
100237		

