

ON/OFF - TEMPERATURE CONTROL UNIT

Eco LITE



TC (J,K,R,S,T Input Types) and RTD inputs selectable by parameter

Saving and Recovery of user parameters

Low Power Consumption, Energy saving and Environmentally Friendly with 2VA

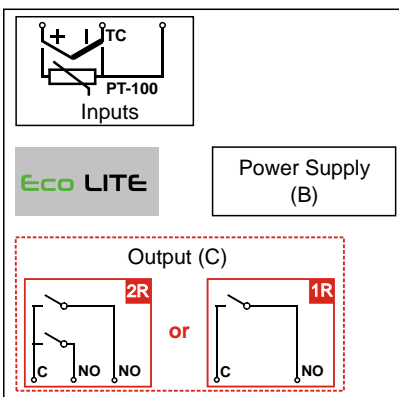
Return to Factory Settings

STANDARD FEATURES

- 3 digits Process (PV) and 4 digits Set (SV) display
- Process input (TC, RTD)
- ON-OFF control form
- Selectable heating and cooling function
- Selectable temperature offset value
- Operation type selection with hysteresis
- Minimum pulling time adjustment for control outputs
- Password protection for programming mode

TECHNICAL SPECIFICATIONS

Specifications	Process Input	TC, RTD Thermocouple (TC): J, K, R, S and T (IEC584.1)(ITS90)
	Thermoresistance(RTD)	PT-100 (IEC751)(ITS90)
	Measurement Range	Please refer to process input type selection in process menu parameter section.
	Accuracy	± 0,25 of scale for thermocouple and thermoresistance
	Cold Junction Compensation	Automatically. ±0.1°C/1°C
	Line Compensation	Maximum 10 Ohm
	Sensor Break Protection	Upscale
	Sampling Cycle	0,1 second
	Input Filter	Programmable
	Control Form	ON/OFF
Output	Process Output	Relay (5A@250V ~ at Resistive Load)
	Alarm Outputs	Relay (5A@250V ~ at Resistive Load)
Environmental Conditions	Operation Temperature	0...50°C
	Humidity	0-90%RH (None condensing)
	Protection Class	Ip65 in front, Ip20 in rear
	Weight	150 gr.
	Dimension	48 x48 mm
	Depth	86,5 mm
Panel Cut-Out	46 x46 mm	



USAGE AREAS

All Applications Requiring Temperature Control

GLASS

PLASTIC

PETRO
CHEMISTRY

TEXTILE

AUTOMOTIVE

MACHINE
PRODUCTION
INDUSTRY

PID - TEMPERATURE CONTROL UNIT

Eco PID



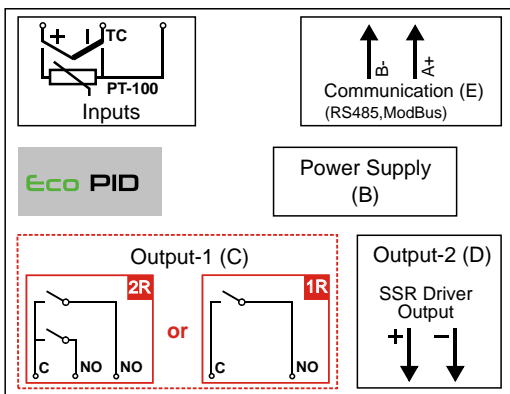
- High Resolution Sensitive PID control
- TC (J,K,R,S,T Input Types) and RTD inputs selectable by parameter
- Low Power Consumption, Energy saving and Environmentally Friendly with 2VA
- Saving and Recovery of user parameters
- Return to Factory Settings
- RS-485 Modbus (RTU) communication option

STANDARD FEATURES

- 3 digits Process (PV) and 4 digits Set (SV) display
- Process input (TC, RTD)
- Programmable ON-OFF, P, PI, PD, PID control forms
- Adaptation of PID Coefficients to the system with Self-Tune operation (Step Response Tuning)
- Selectable heating and cooling function
- Selectable temperature offset value
- Selectable Alarm Functions for alarm outputs
- Operation type selection with hysteresis
- Minimum pulling time adjustment for control outputs
- Password protection for programming mode

TECHNICAL SPECIFICATIONS

Specifications	Process Input	TC, RTD Thermocouple (TC): J, K, R, S and T (IEC584.1)(ITS90)
	Thermoresistance(RTD)	PT-100 (IEC751)(ITS90)
	Measurement Range	Please refer to process input type selection in process menu parameter section.
	Accuracy	± 0,25 of scale for thermocouple and thermoresistance
	Cold Junction Compensation	Automatically. ±0.1°C/1°C
	Line Compensation	Maximum 10 Ohm
	Sensor Break Protection	Upscale
	Sampling Cycle	0,1 second
	Input Filter	Programmable
	Control Form	ON/OFF, P, PI, PD or PID (Programmable)
Output	Process Output	Relay (5A@250V ~ at Resistive Load) Or SSR Driver Output (Maximum 10mA, Max. 12V ----)
	Alarm Outputs	Relay (5A@250V ~ at Resistive Load)
Environmental Conditions	Operation Temperature	0...50°C
	Humidity	0-90%RH (None condensing)
	Protection Class	Ip65 in front, Ip20 in rear
	Weight	150 gr.
	Dimension	48 x48 mm
	Depth	86,5 mm
Panel Cut-Out	46 x46 mm	



USAGE AREAS

All Applications Requiring Temperature Control

GLASS

PLASTIC

PETRO
CHEMISTRY

TEXTILE

AUTOMOTIVE

MACHINE
PRODUCTION
INDUSTRY



www.emkoelektronik.com.tr

PID - HOT RUNNER CONTROL UNIT

Eco HR



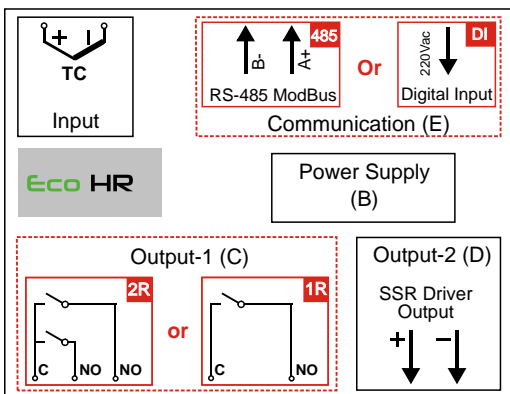
- ▶ High Resolution Sensitive PID control
- ▶ Saving and Recovery of user parameters
- ▶ TC (J,K,R,S,T Input Types) and RTD inputs selectable by parameter
- ▶ Return to Factory Settings
- ▶ Low Power Consumption, Energy saving and Environmentally Friendly with 2VA
- ▶ RS-485 Modbus (RTU) communication option
- ▶ Digital or RS-485 input for activate the 2nd Set Value (Optional)
- ▶ Activate 2nd Set Value by front panel

STANDARD FEATURES

- 3 digits Process (PV) and 4 digits Set (SV) display
- Process input (TC)
- Programmable ON-OFF, P, PI, PD, PID control forms
- Adaptation of PID Coefficients to the system with Self-Tune operation (Step Response Tuning)
- Selectable heating and cooling function
- Selectable temperature offset value
- Selectable Alarm Functions for alarm outputs
- Operation type selection with hysteresis
- Minimum pulling time adjustment for control outputs
- Password protection for programming mode

TECHNICAL SPECIFICATIONS

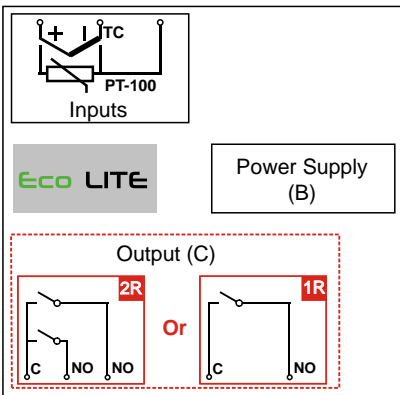
Specifications	Process Input	(TC): J, K, R, S and T (IEC584.1)(ITS90)
	Measurement Range	Please refer to process input type selection in process menu parameter section.
	Accuracy	± 0,25 of scale for thermocouple and thermoresistance
	Cold Junction Compensation	Automatically. ±0.1°C/1°C
	Line Compensation	Maximum 10 Ohm
	Sensor Break Protection	Upscale
	Sampling Cycle	0,1 second
	Input Filter	Programmable
	Control Form	ON/OFF, P, PI, PD or PID (Programmable)
Output	Process Output	Relay (5A@250V ~ at Resistive Load) Or SSR Driver Output (Maximum 10mA, Max. 12V ----)
	Alarm Outputs	Relay (5A@250V ~ at Resistive Load)
Environmental Conditions	Operation Temperature	0...50°C
	Humidity	0-90%RH (None condensing)
	Protection Class	Ip65 in front, Ip20 in rear
	Weight	150 gr.
	Dimension	48 x48 mm
	Depth	86,5 mm
Panel Cut-Out	46 x46 mm	



USAGE AREAS

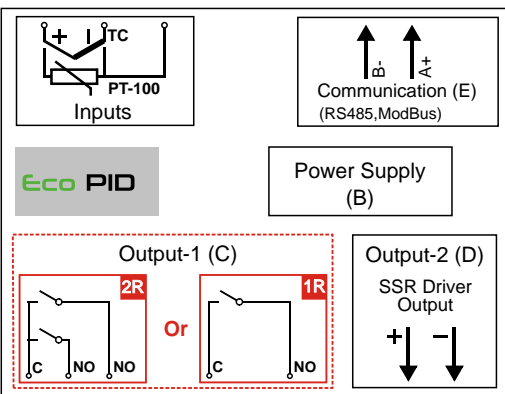
All Applications Requiring Temperature Control

PLASTIC



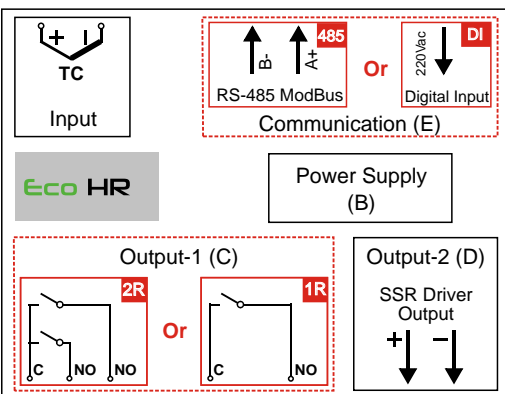
Product Type	A	B	C	D	E
ecoLITE	4			0	0

A. Dimensions					
48x48mm	4				
B. Power Supply					
230Vac (-%15, +%10) 50/60Hz		5			
10-30Vdc (-%15, +%10)		6			
115Vac (-%15, +%10) 50/60Hz		3			
C. Output-1					
1xRelay Output (NO+C) 5A@250Vac			1R		
2xRelay Output (NO+C) 5A@250Vac			2R		



Product Type	A	B	C	D	E
ecoPID	4			S	

A. Dimensions					
48x48mm	4				
B. Power Supply					
230Vac (-%15, +%10) 50/60Hz		5			
10-30Vdc (-%15, +%10)		6			
115Vac (-%15, +%10) 50/60Hz		3			
C. Output-1					
1xRelay Output (NO+C) 5A@250Vac			1R		
2xRelay Output (NO+C) 5A@250Vac			2R		
D. Output-2					
SSR Driver Output (Max. 10mA, Max. 12Vdc)				S	
E. Communication Options					
Communication N/A (Not Available)					0
RS-485 communication					485



Product Type	A	B	C	D	E
ecoHR	4			S	

A. Dimensions					
48x48mm	4				
B. Power Supply					
230Vac (-%15, +%10) 50/60Hz		5			
10-30Vdc (-%15, +%10)		6			
115Vac (-%15, +%10) 50/60Hz		3			
C. Output-1					
1xRelay Output (NO+C) 5A@250Vac			1R		
2xRelay Output (NO+C) 5A@250Vac			2R		
D. Output-2					
SSR Driver Output (Max. 10mA, Max. 12Vdc)				S	
E. Communication Options					
Communication N/A (Not Available)					0
RS-485 Communication					485
Digital Input (220Vac)					DI