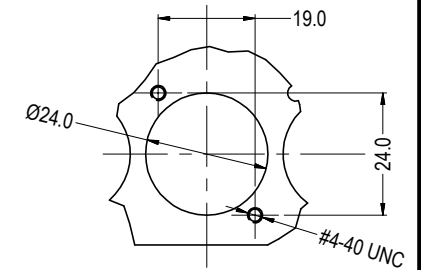


NOTES:-

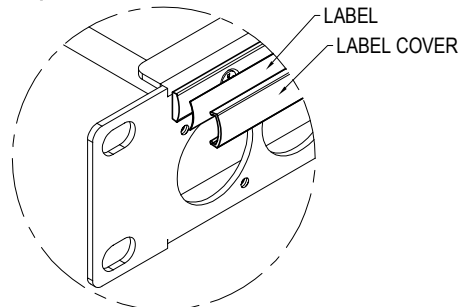
1. SUPPLIED FULLY ASSEMBLED AND INCLUDES 32x #4-40 UNC BLACK COUNTERSUNK SCREWS.
2. PANEL TO RACK SCREWS NOT INCLUDED.

ISS.	AMEND	DATE
1	ISSUED	12/05/17

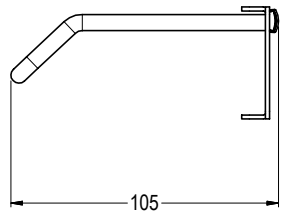
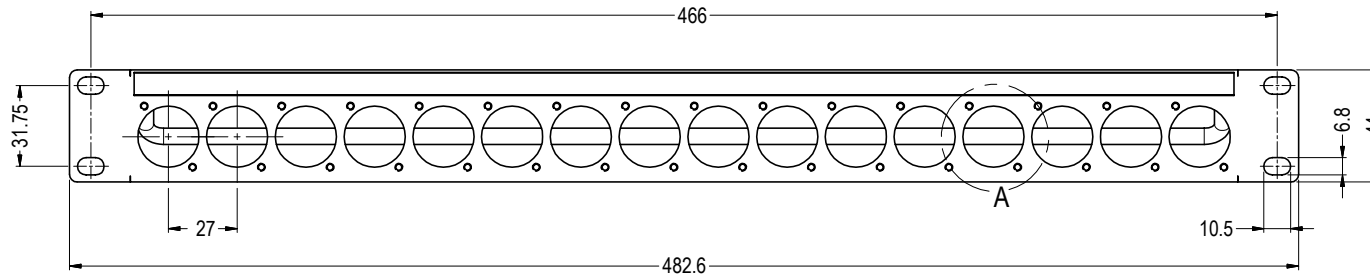
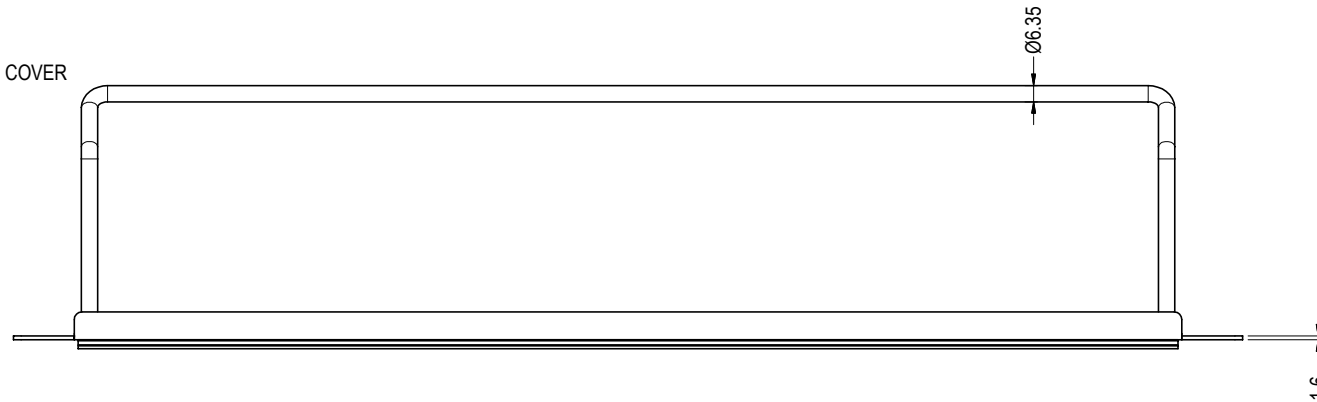
PART	MATERIAL
PANEL	STEEL, BLACK POWDER COATED
CABLE BAR	STAINLESS STEEL
LABEL	PAPER, WHITE
LABEL COVER	THERMOPLASTIC, CLEAR
LABEL BASE	THERMOPLASTIC, CLEAR
SCREWS	STEEL, BLACK



DETAIL VIEW A
(16 POSITIONS)



VIEW SHOWING LABEL &
LABEL COVER REMOVED



RoHS
COMPLIANT

TOLERANCE
NO DEC. PLACE ±
1 DEC. PLACE ±
2 DEC. PLACE ±
HOLE Ø ±
ANGLES ±
UNLESS OTHERWISE STATED

Cliff Electronic Components Ltd.

76 Holmethorpe Avenue, Holmethorpe Industrial Estate,
Redhill, Surrey, RH1 2PF, England, UK
Tel: 01737-771375 Fax: 01737-766012 Website: www.cliffuk.co.uk

THE CONTENTS OF THIS DOCUMENT MUST NOT BE COPIED OR DISCLOSED TO A 3rd PARTY WITHOUT WRITTEN PERMISSION OF CLIFF UK. © 2016

DIMENSIONS IN MILLIMETERS UNLESS OTHERWISE STATED. WORK TO DIMENSIONS. REMOVE ALL BURRS. IF IN DOUBT ASK.

3rd ANGLE PROJECTION:

DO NOT SCALE

MATERIAL: SEE TABLE

TITLE: 1U x 16 PANEL ASSEMBLY #4-40 UNC HOLES

FINISH: SEE TABLE

DRWG. No. **CP30152**

DRAWN: NJB

APPROVED: DPJ

FORM: A4DRWGF