

# Motorized Projector Screen

## USER'S GUIDE

### ESAA120



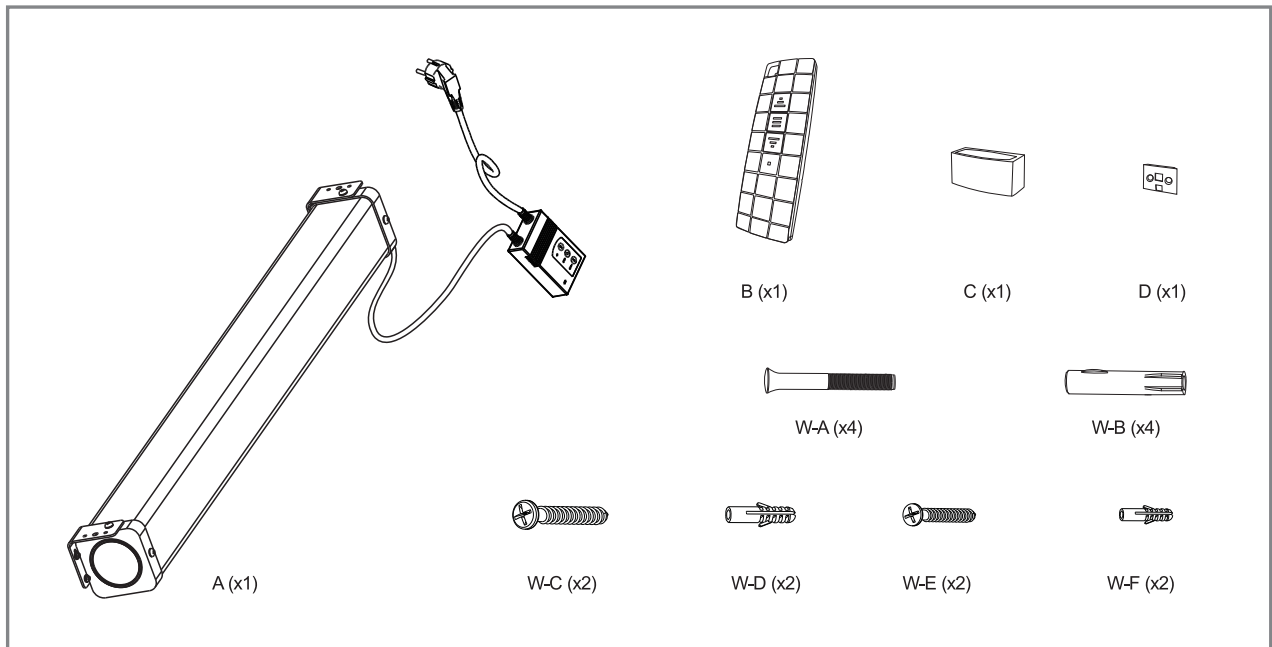
**Thank you for choosing the Motorized projection screen! Please read through this user guide before using the screen. Correct usage and maintenance will ensure a long product life.**

### **Important Safety & Warning Precautions**

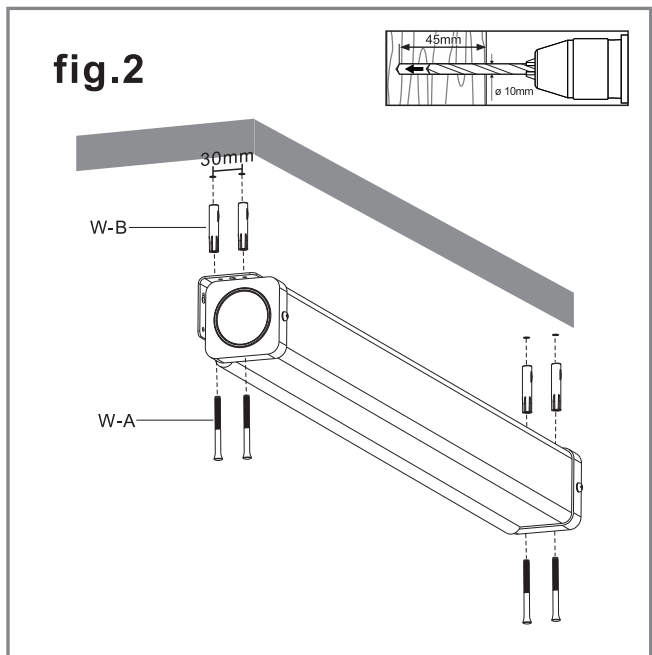
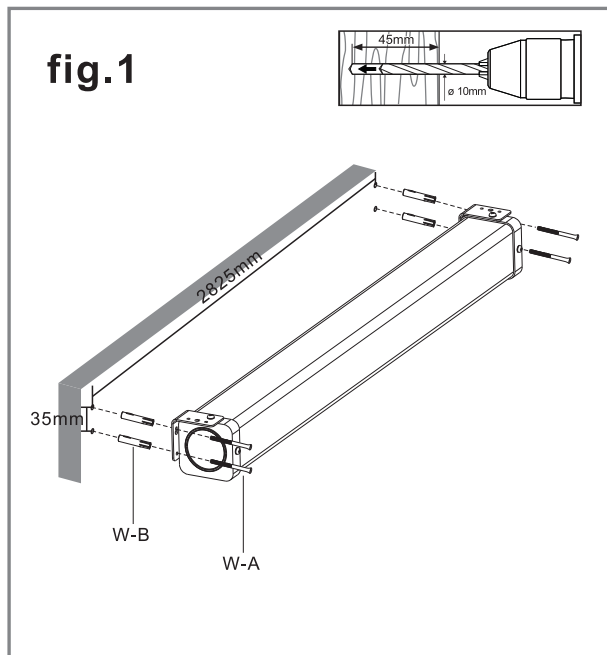
1. Please retain this user's guide for future reference
2. To avoid damaging the unit, do not use with any unauthorized accessories not recommended by the manufacturer.
3. Handle the unit carefully during transportation to avoid any damages.
4. To ensure safe and reliable operation, direct connection to a properly grounded power source is advised.
5. The power outlet supplying power to the unit should be close to the unit and easily accessible.
6. Do not install the unit on uneven or inclined surfaces.
7. Do not put heavy objects on the power cord and position it properly to avoid creating a trip obstacle.
8. For safety never overload the power cord to prevent an electric shock or fire due to a loose contact or a short circuit.
9. There are not user serviceable parts in this unit. Do not attempt to disassemble this unit by yourself.
10. Only authorized technicians can open and repair this unit.
11. Make sure the power source this unit is connected to has a continuous power flow.
12. If there is need to use an extension cord, make sure the cord has an equal rating as the appliance to avoid overheat.
13. Do not handle the power plug when your hands are wet or your feet are in contact with water.
14. Cut off the power supply first before transportation or maintenance.
15. Fully disconnect from the power supply when the unit is not in use for a long period of time, as should be done with any other electric household appliance.

**Do not use this unit under the following circumstances.**

- 1. Under the conditions of heavy rain, wind, thunder or lightning
- 2. Direct Sunshine, rain shower and moisture
- 3. Near fire sources and in high temperature environment
- 4. There is obvious damage or there are any evident broken parts.



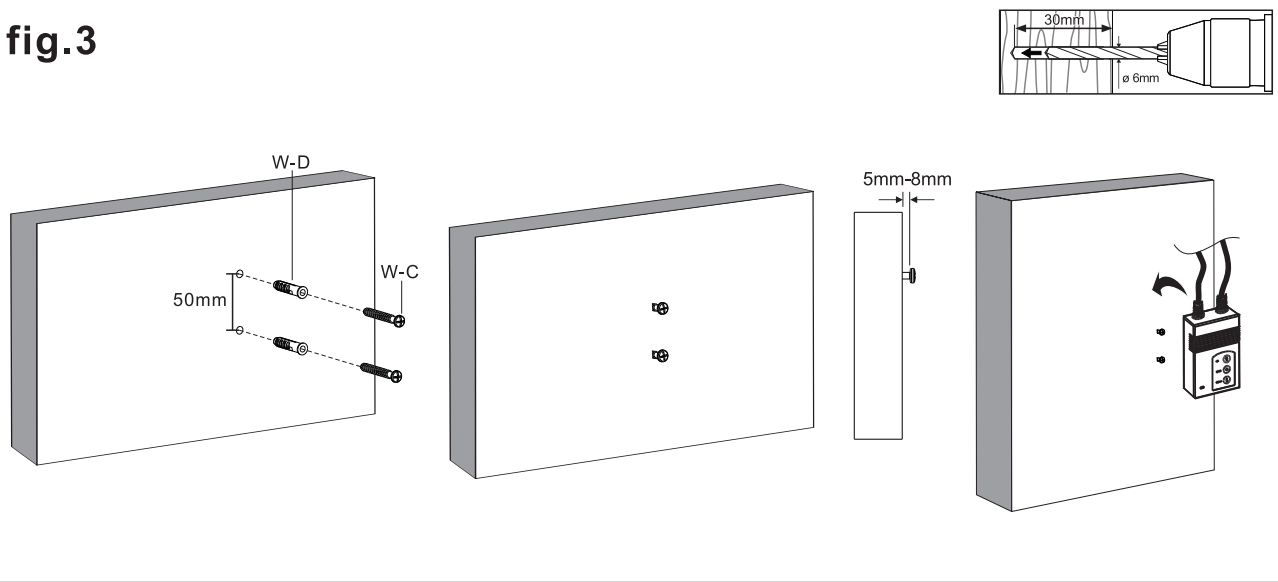
## Installation Instruction



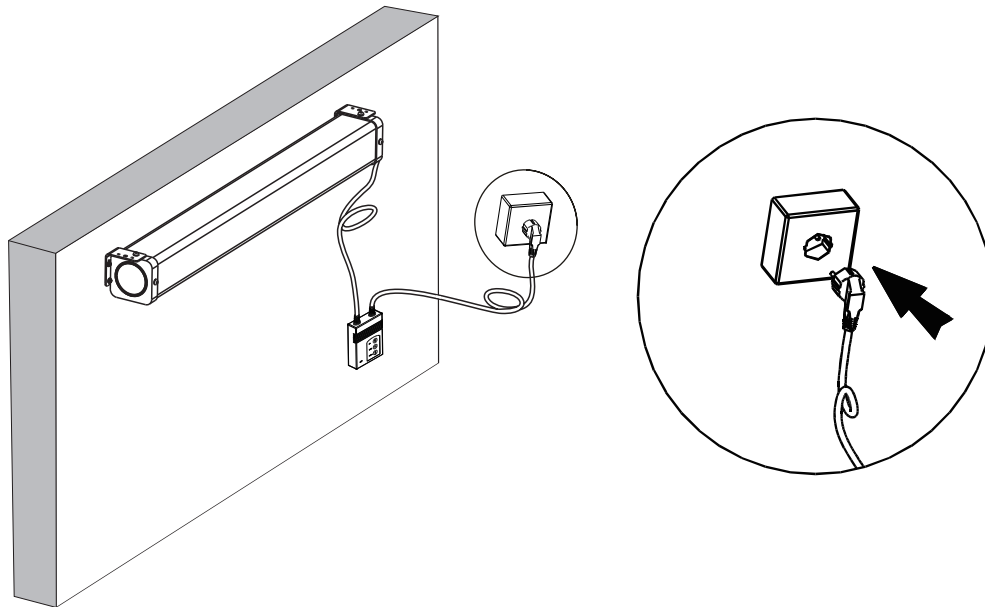
**Wall mounting option:** Mark the 4 mounting holes on wall, and drill the 4 holes. Then, insert screws with 4 hollow anchors as shown in fig.1, and tighten all screws.

**Ceiling mounting option:** Mark the 4 mounting holes on ceiling, and drill the 4 holes. Then, insert screws with 4 hollow anchors as shown in fig.2, and tighten all screws.

**fig.3**



**fig.4**



**fig.5**

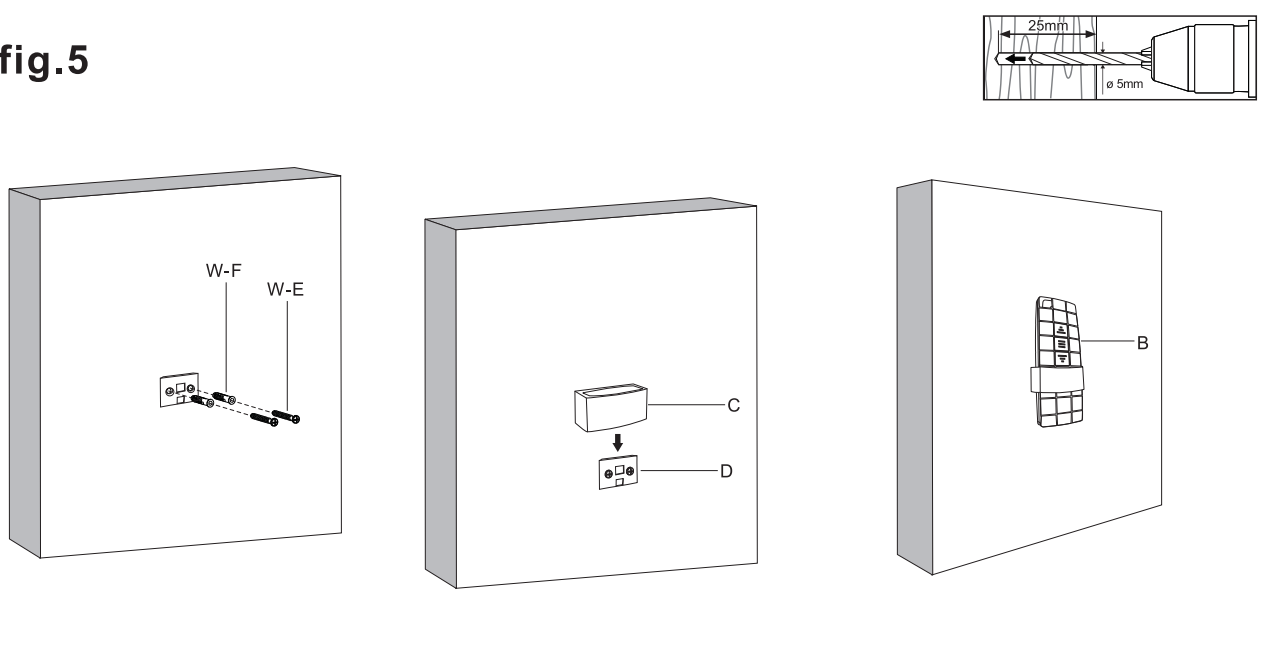


fig.6

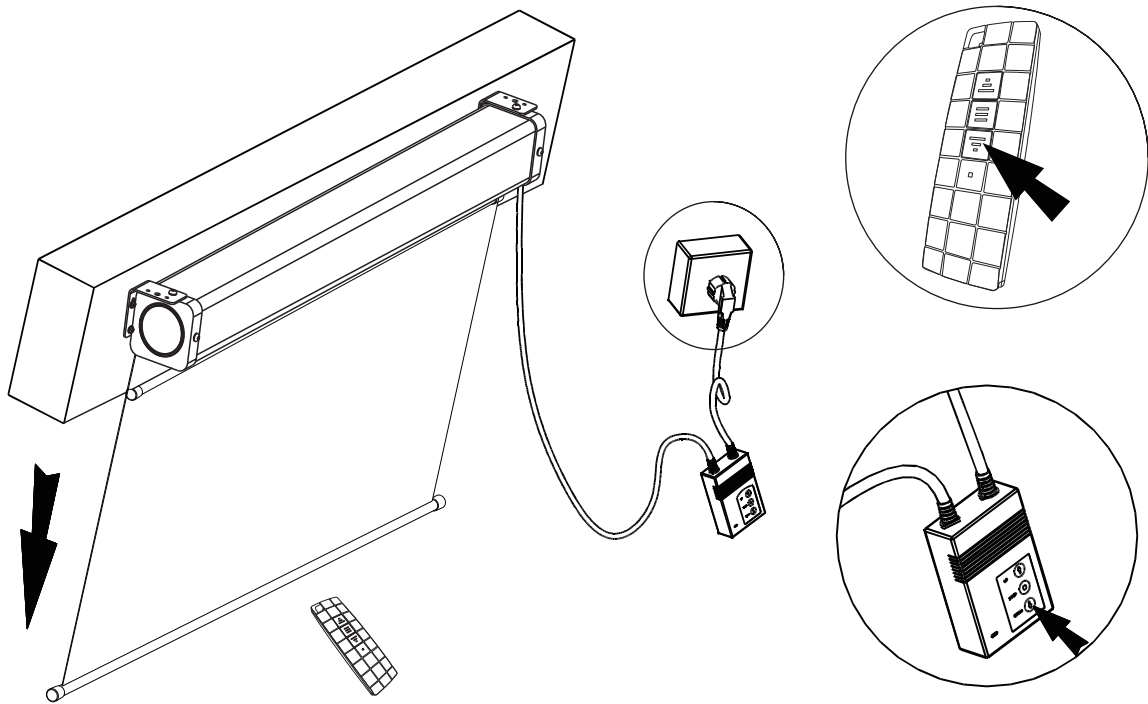
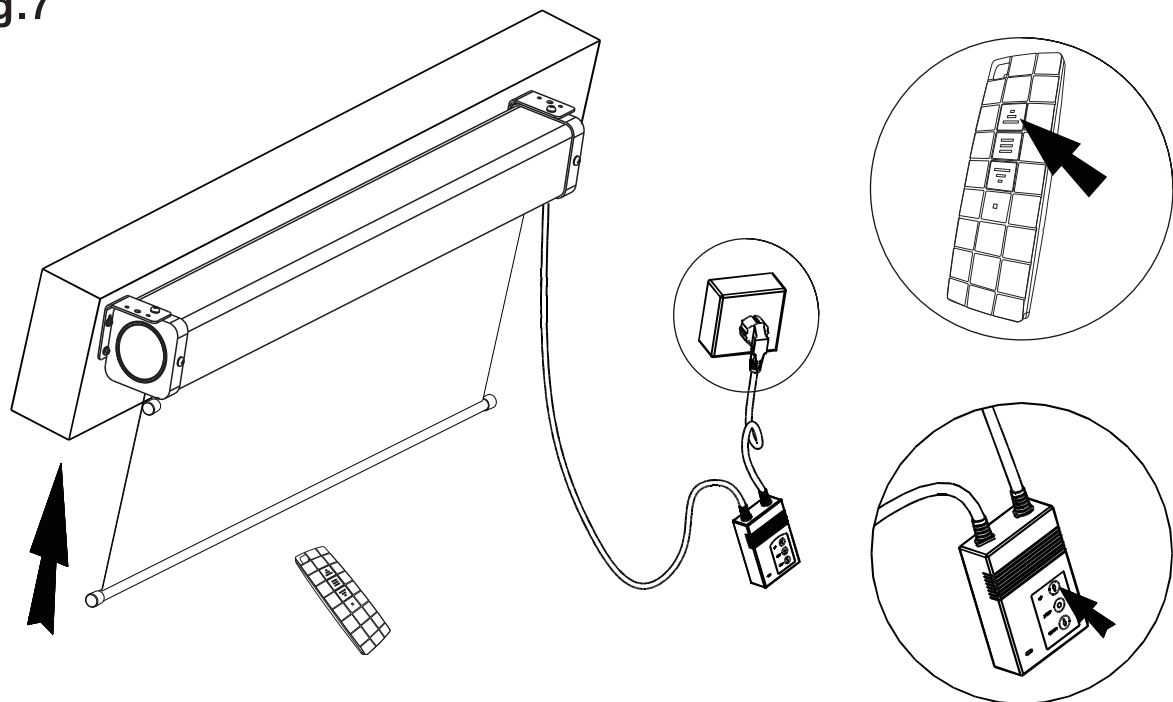


fig.7



1. Connect the projection screen to power.
2. Either press the down button on the IR remote control or the down button on the receiver, the screen will drop to your desired height, as shown in fig.6 .
3. Either press the up button on the IR remote control or the up button on the receiver, the screen will withdraw to your desired height, as shown in fig.7 .

**Note:** please completely roll up the screen while not in use.