

Loop-powered isolators - MINI MCR-2-I-I-ILP - 2901994

Please be informed that the data shown in this PDF Document is generated from our Online Catalog. Please find the complete data in the user's documentation. Our General Terms of Use for Downloads are valid (<http://download.phoenixcontact.com>)



Single-channel input loop-powered 2-way isolator with plug-in connection technology for the electrical isolation of analog signals. Input signal = output signal: 0(4) mA ... 20 mA. Screw connection technology.

The figure shows the MINI MCR-2-I-I-ILP-PT version

Article description

Single-channel input-loop-powered 2-way isolator with plug-in connection technology for the electrical isolation and filtering of analog signals. The input-loop-powered isolator allows operation with active sensor technology with a supply voltage of 6 V DC to 30 V DC. The device is powered via the current loop of the sensor. Input signal = output signal: 0(4) mA to 20 mA. The measuring transducer supports NFC communication.



Key commercial data

package_quantity	1
GTIN	4046356648653

Technical data

Dimensions

Width	6.2 mm
Height	110.5 mm
Depth	120.5 mm

Ambient conditions

Ambient temperature (operation)	-40 °C ... 70 °C
Ambient temperature (storage/transport)	-40 °C ... 85 °C
Maximum altitude	< 2000 m

Input data

Description of the input	Current input
Configurable/programmable	no
Current input signal	0 mA ... 20 mA
Current input signal	4 mA ... 20 mA
Response current	approx. 200 µA
Input voltage limitation	30 V
Voltage dissipation	3.1 V (I = 20 mA)

Loop-powered isolators - MINI MCR-2-I-I-ILP - 2901994

Technical data

Output data

Output name	Current output
Configurable/programmable	no
Current output signal	0 mA ... 20 mA
Current output signal	4 mA ... 20 mA
Load/output load current output	< 600 Ω (at I = 20 mA output signal)
Transmission Behavior	1:1 to input signal

Power supply

Supply voltage range	9.6 V DC ... 30 V DC (no separate supply voltage necessary)
Power consumption	600 mW

Connection data

Connection method	Screw connection
Single conductor/terminal point, solid, with ferrule, min.	0.2 mm ²
Single conductor/terminal point, solid, with ferrule, max.	1.5 mm ²
Single conductor/terminal point, solid, without ferrule, min.	0.2 mm ²
Single conductor/terminal point, solid, without ferrule, max.	2.5 mm ²
Conductor cross section flexible min.	0.2 mm ²
Conductor cross section flexible max.	1.5 mm ²
Min. AWG conductor cross section, flexible	24
Max. AWG conductor cross section, flexible	12
Stripping length	10 mm
Screw thread	M3

General

No. of channels	1
Maximum transmission error	≤ 0.1 % (of final value)
Maximum temperature coefficient	≤ 0.002 %/K
Additional error, load-dependent	< 0.075 % (of measured value / 100 Ω load)
Limit frequency (3 dB)	100 Hz
Electrical isolation	Reinforced insulation in accordance with IEC 61010-1
Overvoltage category	II
Degree of pollution	2
Rated insulation voltage	300 V (effective)
Test voltage, input/output/supply	3 kV (50 Hz, 1 min.)
Electromagnetic compatibility	Conformance with EMC directive
Noise emission	EN 61000-6-4
Noise immunity	EN 61000-6-2 When being exposed to interference, there may be minimal deviations.
Color	gray
Housing material	PBT
Mounting position	any
Fire protection for rail vehicles (DIN EN 45545-2) R22	HL 1 - HL 2

Loop-powered isolators - MINI MCR-2-I-I-ILP - 2901994

Technical data

General

Fire protection for rail vehicles (DIN EN 45545-2) R23	HL 1 - HL 2
Fire protection for rail vehicles (DIN EN 45545-2) R24	HL 1 - HL 2

Standards and Regulations

Electromagnetic compatibility	Conformance with EMC directive
Noise emission	EN 61000-6-4
Electrical isolation	Reinforced insulation in accordance with IEC 61010-1

Environmental Product Compliance

China RoHS	Environmentally Friendly Use Period = 50
China RoHS	For details about hazardous substances go to tab "Downloads", Category "Manufacturer's declaration"

Classifications

eCl@ss

eCl@ss 4.0	27210120
eCl@ss 4.1	27210120
eCl@ss 5.0	27210120
eCl@ss 5.1	27210120
eCl@ss 6.0	27210120
eCl@ss 7.0	27210120
eCl@ss 8.0	27210120
eCl@ss 9.0	27210120

ETIM

ETIM 4.0	EC002653
ETIM 5.0	EC002653
ETIM 6.0	EC002653

UNSPSC

UNSPSC 6.01	30211506
UNSPSC 7.0901	39121008
UNSPSC 11	39121008
UNSPSC 12.01	39121008
UNSPSC 13.2	39121008

Approvals

UL Listed / cUL Listed / cULus Listed / ATEX / UL Listed / cUL Listed / cULus Listed /

Approval details

UL Listed ®

Loop-powered isolators - MINI MCR-2-I-I-ILP - 2901994

Approvals

cUL Listed

cULus Listed

ATEX



Accessories

System adapter

MINI MCR-2-V8-FLK 16 - 2901993



Communication module

MINI MCR-2-V8-MOD-RTU - 2905634



MINI MCR-2-V8-MOD-TCP - 2905635



Loop-powered isolators - MINI MCR-2-I-I-ILP - 2901994

Accessories

MINI MCR-2-V8-PB-DP - 2905636



Device marking

UCT-EM (30X5) - 0801505



UCT-EM (30X5) YE - 0830340



UC-EMLP (15X5) - 0819301



UC-EMLP (15X5) YE - 0822615



Loop-powered isolators - MINI MCR-2-I-I-ILP - 2901994

Accessories

UC-EMLP (15X5) SR - 0828095



US-EMLP (15X5) - 0828790



US-EMLP (15X5) YE - 0828873



US-EMLP (15X5) SR - 0828874



Labeled device marker

UCT-EM (30X5) CUS - 0801589



Loop-powered isolators - MINI MCR-2-I-I-ILP - 2901994

Accessories

UCT-EM (30X5) YE CUS - 0830348



UC-EMLP (15X5) CUS - 0824550



UC-EMLP (15X5) YE CUS - 0824551



UC-EMLP (15X5) SR CUS - 0828099



US-EMLP (15X5) CUS - 0830076



US-EMLP (15X5) YE CUS - 0830077



Loop-powered isolators - MINI MCR-2-I-I-ILP - 2901994

Accessories

US-EMLP (15X5) SR CUS - 0830078



Terminal marking

SK 5,0 WH:REEL - 0805221



Accessories

UC-EMLP (15X5)L - 0820138



UC-EMLP (15X5)L CUS - 0824552

UC-EMLP (15X5)L YE - 0825325

Loop-powered isolators - MINI MCR-2-I-I-ILP - 2901994

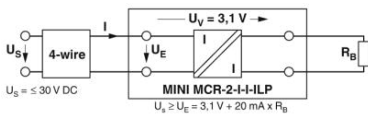
Accessories

UC-EMLP (15X5)L YE CUS - 0826680

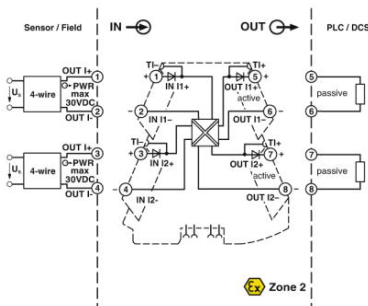
UC-EMLP (15X5)L SR - 0828103

Drawings

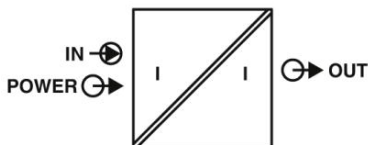
Application drawing



Block diagram



Pictogram



Phoenix Contact 2016 © - all rights reserved
<http://www.phoenixcontact.com>