

# Loop-powered isolators - MINI MCR-2-UI-I-OLP-PT - 2902063

Please be informed that the data shown in this PDF Document is generated from our Online Catalog. Please find the complete data in the user's documentation. Our General Terms of Use for Downloads are valid (<http://download.phoenixcontact.com>)



Output loop-powered 2-way isolator with plug-in connection technology for the electrical isolation of unipolar and bipolar analog signals. Input configurable via DIP switch. Push-in connection technology, standard configuration.

## Article description

Output loop-powered 2-way isolator with plug-in connection technology for the electrical isolation, conversion, and filtering of analog signals. The output loop-powered isolator allows operation at an active analog input module. The device is supplied via the current loop of the controller. On the input side, standard analog signals and non-standard analog signals can be connected, ranging from 2 mA or 50 mV up to 40 mA or 30 V. These are converted to 4 mA ... 20 mA signals. You can configure the input signals via DIP switches. The measuring transducer supports NFC communication.



## Key commercial data

package_quantity	1
GTIN	4046356652117

## Technical data

### Note

Utilization restriction	EMC: class A product, see manufacturer's declaration in the download area
-------------------------	---

### Dimensions

Width	6.2 mm
Height	110.5 mm
Depth	120.5 mm

### Ambient conditions

Ambient temperature (operation)	-40 °C ... 70 °C
Ambient temperature (storage/transport)	-40 °C ... 85 °C

### Input data

Configurable/programmable	Yes
Voltage input signal	0 mV ... 1000 mV
Voltage input signal	0 mV ... 750 mV
Voltage input signal	0 mV ... 500 mV
Voltage input signal	0 mV ... 300 mV
Voltage input signal	0 mV ... 250 mV

# Loop-powered isolators - MINI MCR-2-UI-I-OLP-PT - 2902063

## Technical data

### Input data

Voltage input signal	0 mV ... 200 mV
Voltage input signal	0 mV ... 125 mV
Voltage input signal	0 mV ... 120 mV
Voltage input signal	0 mV ... 150 mV
Voltage input signal	0 mV ... 100 mV
Voltage input signal	0 mV ... 75 mV
Voltage input signal	0 mV ... 60 mV
Voltage input signal	0 mV ... 50 mV
Voltage input signal	0 V ... 10 V
Voltage input signal	0 V ... 7.5 V
Voltage input signal	0 V ... 5 V
Voltage input signal	0 V ... 3 V
Voltage input signal	0 V ... 2.5 V
Voltage input signal	0 V ... 2 V
Voltage input signal	0 V ... 1.5 V
Voltage input signal	0 V ... 1.25 V
Voltage input signal	0 V ... 1.2 V
Voltage input signal	0 V ... 30 V
Voltage input signal	0 V ... 25 V
Voltage input signal	0 V ... 20 V
Voltage input signal	0 V ... 12.5 V
Voltage input signal	0 V ... 12 V
Voltage input signal	0 V ... 15 V
Voltage input signal	-1000 mV ... 1000 mV
Voltage input signal	-750 mV ... 750 mV
Voltage input signal	-500 mV ... 500 mV
Voltage input signal	-300 mV ... 300 mV
Voltage input signal	-250 mV ... 250 mV
Voltage input signal	-200 mV ... 200 mV
Voltage input signal	-125 mV ... 125 mV
Voltage input signal	-120 mV ... 120 mV
Voltage input signal	-150 mV ... 150 mV
Voltage input signal	-100 mV ... 100 mV
Voltage input signal	-75 mV ... 75 mV
Voltage input signal	-60 mV ... 60 mV
Voltage input signal	-50 mV ... 50 mV
Voltage input signal	-10 V ... 10 V
Voltage input signal	-7.5 V ... 7.5 V
Voltage input signal	-5 V ... 5 V
Voltage input signal	-3 V ... 3 V
Voltage input signal	-2.5 V ... 2.5 V

## Loop-powered isolators - MINI MCR-2-UI-I-OLP-PT - 2902063

### Technical data

#### Input data

Voltage input signal	-2 V ... 2 V
Voltage input signal	-1.25 V ... 1.25 V
Voltage input signal	-1.2 V ... 1.2 V
Voltage input signal	-1.5 V ... 1.5 V
Voltage input signal	-30 V ... 30 V
Voltage input signal	-25 V ... 25 V
Voltage input signal	-20 V ... 20 V
Voltage input signal	-12.5 V ... 12.5 V
Voltage input signal	-12 V ... 12 V
Voltage input signal	-15 V ... 15 V
Voltage input signal	2 V ... 10 V (additional areas can be configured, see table)
Voltage input signal	1 V ... 5 V
Current input signal	0 mA ... 40 mA
Current input signal	0 mA ... 30 mA
Current input signal	0 mA ... 20 mA
Current input signal	0 mA ... 12 mA
Current input signal	0 mA ... 10 mA
Current input signal	0 mA ... 8 mA
Current input signal	0 mA ... 7.5 mA
Current input signal	0 mA ... 5 mA
Current input signal	0 mA ... 6 mA
Current input signal	0 mA ... 4 mA
Current input signal	0 mA ... 3 mA
Current input signal	0 mA ... 2.5 mA
Current input signal	0 mA ... 2 mA
Current input signal	4 mA ... 20 mA
Current input signal	2 mA ... 10 mA
Current input signal	1 mA ... 5 mA
Max. input voltage	< 30 V
Max. input current	50 mA (Dielectric strength up to 30 V)
Input resistance of voltage input	approx. 100 kΩ (At ≤ 1 V, otherwise approximately 1 MΩ)
Input resistance current input	25 Ω (+ 0.7 V for test diode)

#### Output data

Current output signal	4 mA ... 20 mA
Max. output current	32 mA
Ripple	< 10 mV <sub>rms</sub> (at 600 Ω)

#### Power supply

Supply voltage range	8 V DC ... 30 V DC (no separate supply voltage necessary)
Typical current consumption	≤ 20 mA
Power consumption	≤ 600 mW

# Loop-powered isolators - MINI MCR-2-UI-I-OLP-PT - 2902063

## Technical data

### Connection data

Connection method	Push-in connection
Single conductor/terminal point, solid, with ferrule, min.	0.14 mm <sup>2</sup>
Single conductor/terminal point, solid, with ferrule, max.	2.5 mm <sup>2</sup>
Single conductor/terminal point, solid, without ferrule, min.	0.14 mm <sup>2</sup>
Single conductor/terminal point, solid, without ferrule, max.	2.5 mm <sup>2</sup>
Conductor cross section flexible min.	0.14 mm <sup>2</sup>
Conductor cross section flexible max.	2.5 mm <sup>2</sup>
Min. AWG conductor cross section, flexible	24
Max. AWG conductor cross section, flexible	12
Stripping length	10 mm

### General

No. of channels	1
Maximum transmission error	≤ 0.1 % (of final value)
Maximum temperature coefficient	0.01 %/K
Temperature coefficient, typical	0.005 %/K
Limit frequency (3 dB)	approx. 30 Hz
Step response (10-90%)	20 ms
Electrical isolation	Reinforced insulation in accordance with IEC 61010-1
Overvoltage category	II
Degree of pollution	2
Rated insulation voltage	300 V (effective)
Test voltage, input/output/supply	3 kV (50 Hz, 1 min.)
Electromagnetic compatibility	Conformance with EMC directive
Noise emission	EN 61000-6-4
Noise immunity	EN 61000-6-2 When being exposed to interference, there may be minimal deviations.
Color	gray
Housing material	PBT
Mounting position	any
Fire protection for rail vehicles (DIN EN 45545-2) R22	HL 1 - HL 2
Fire protection for rail vehicles (DIN EN 45545-2) R23	HL 1 - HL 2
Fire protection for rail vehicles (DIN EN 45545-2) R24	HL 1 - HL 2

### Standards and Regulations

Electromagnetic compatibility	Conformance with EMC directive
Noise emission	EN 61000-6-4
Electrical isolation	Reinforced insulation in accordance with IEC 61010-1

### Environmental Product Compliance

China RoHS	Environmentally Friendly Use Period = 50
China RoHS	For details about hazardous substances go to tab "Downloads", Category "Manufacturer's declaration"

# Loop-powered isolators - MINI MCR-2-UI-I-OLP-PT - 2902063

## Classifications

### eCl@ss

eCl@ss 4.0	27210120
eCl@ss 4.1	27210120
eCl@ss 5.0	27210120
eCl@ss 5.1	27210120
eCl@ss 6.0	27210120
eCl@ss 7.0	27210120
eCl@ss 8.0	27210120
eCl@ss 9.0	27210120

### ETIM

ETIM 4.0	EC002653
ETIM 5.0	EC002653
ETIM 6.0	EC002653

### UNSPSC

UNSPSC 6.01	30211506
UNSPSC 7.0901	39121008
UNSPSC 11	39121008
UNSPSC 12.01	39121008
UNSPSC 13.2	39121008

## Approvals

UL Listed / cUL Listed / cULus Listed / UL Listed / cUL Listed / ATEX / cULus Listed /

### Approval details

UL Listed
cUL Listed
cULus Listed
ATEX

## Loop-powered isolators - MINI MCR-2-UI-I-OLP-PT - 2902063

### Accessories

#### Device marking

UCT-EM (30X5) - 0801505



UCT-EM (30X5) YE - 0830340



UC-EMLP (15X5) - 0819301



UC-EMLP (15X5) YE - 0822615



UC-EMLP (15X5) SR - 0828095



## Loop-powered isolators - MINI MCR-2-UI-I-OLP-PT - 2902063

### Accessories

US-EMLP (15X5) - 0828790



US-EMLP (15X5) YE - 0828873



US-EMLP (15X5) SR - 0828874



### Labeled device marker

UCT-EM (30X5) CUS - 0801589



UCT-EM (30X5) YE CUS - 0830348



## Loop-powered isolators - MINI MCR-2-UI-I-OLP-PT - 2902063

### Accessories

UC-EMLP (15X5) CUS - 0824550



UC-EMLP (15X5) YE CUS - 0824551



UC-EMLP (15X5) SR CUS - 0828099



US-EMLP (15X5) CUS - 0830076



US-EMLP (15X5) YE CUS - 0830077



US-EMLP (15X5) SR CUS - 0830078





## Loop-powered isolators - MINI MCR-2-UI-I-OLP-PT - 2902063

### Accessories

---

#### Terminal marking

SK 5,0 WH:REEL - 0805221



### Accessories

UC-EMLP (15X5)L - 0820138



UC-EMLP (15X5)L CUS - 0824552

---

UC-EMLP (15X5)L YE - 0825325

---

UC-EMLP (15X5)L YE CUS - 0826680

---

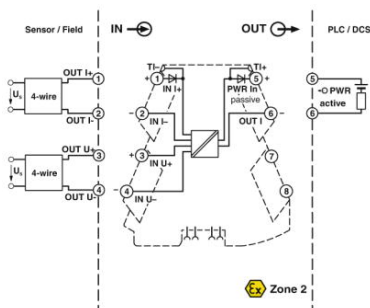
# Loop-powered isolators - MINI MCR-2-UI-I-OLP-PT - 2902063

## Accessories

UC-EMLP (15X5)L SR - 0828103

## Drawings

### Block diagram



### Pictogram



Phoenix Contact 2016 © - all rights reserved  
<http://www.phoenixcontact.com>