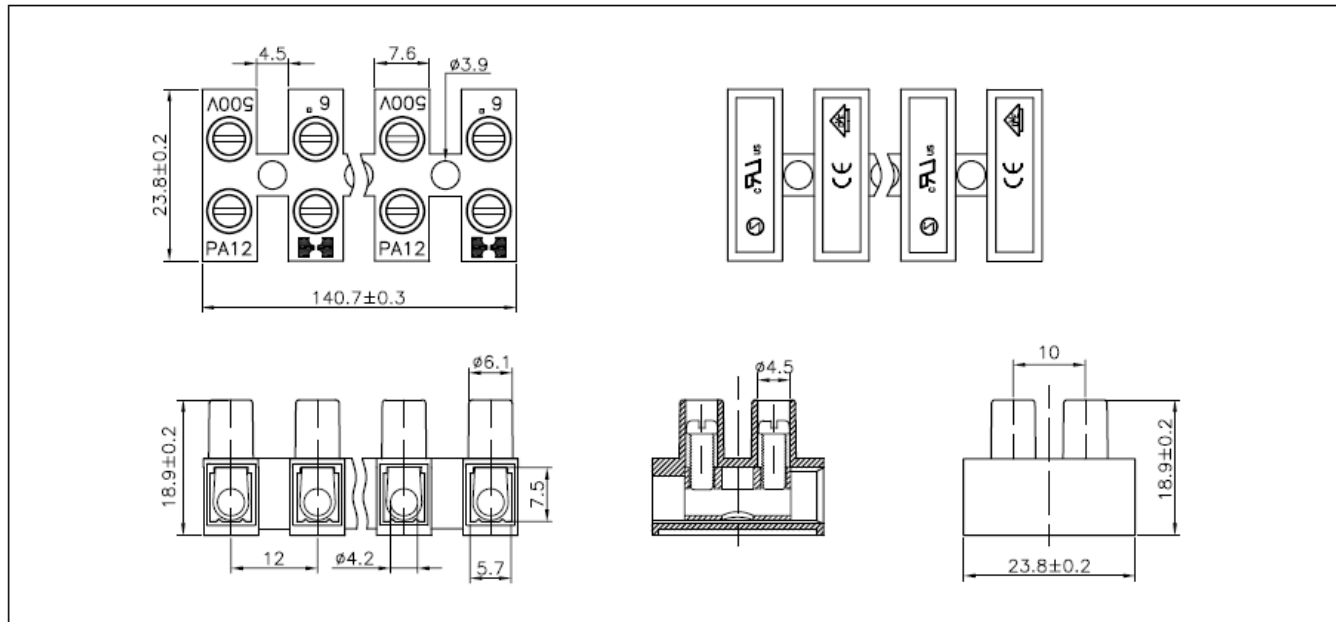


Data Sheet

Terminal Block with wire protector, 6-10mm²



ALL DIMENSION IN MM UNLESS OTHERWISE STATED : 0.= ±0.1mm 00.= ±0.2mm 000.= ±0.3mm

HEAVY POWER CO., LTD. <i>A Specialist Manufacturer</i> No.7, Lane 106, Wukung 3rd. road, Wuke Industrial Park, Taipei Hsien, Taiwan, R.O.C. Tel :886-2-22983178 Fax :886-2-22983183	Scale : - : -	Date : 2005.04.29	TITLE : TERMINAL BLOCK PART NO. PA12H	
	Housing Material : Nylon 66, UL94-V2, Natural Terminal Insert : Brass Metal alloy, nickel plated Screws : Zinc plated Working Temperature : 110° C		PREPARED Lily	
DWG NO. PA12H	International Approvals CUL:E152546 CE, VDE, SEMKO, FIMKO, CQC		REV. 1.0	

Voltage : 500V
 Ampere : 41A