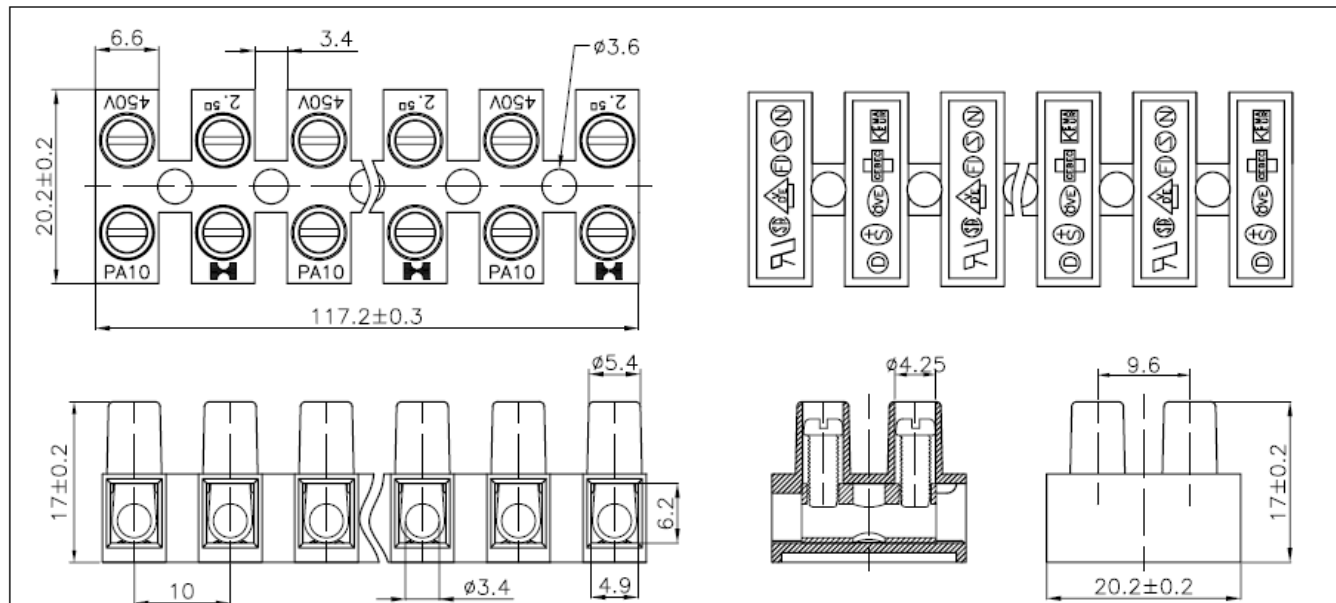


Data Sheet

Terminal Blocks without wire protector, 4 mm²



ALL DIMENSION IN MM UNLESS OTHERWISE STATED : 0.= ±0.1mm 00.= ±0.2mm 000.= ±0.3mm

| | | | |
|--|---|--|--|
| HEAVY POWER CO., LTD. <i>A Specialist Manufacturer</i> No.7, Lane 106, Wukung 3rd. road, Wuke Industrlal Park, Talpel Hslen, Taiwan, R.O.C. Tel :886-2-22983178 Fax :886-2-22983183 | Scale : - : - Date : 2005.04.29 | TITLE : TERMINAL BLOCK PART NO. PA10H | |
| | Housing Material : Nylon 66, UL94-V2, Natural Terminal Insert : Brass Metal alloy, nickel plated Screws : Zinc plated Working Temperature : 110° C | PREPARED Lily | |
| DWG NO. PA10H | International Approvals UL:E1524546, CSA:LR 79786 CE, VDE, SEMKO, NEMKO, FIMKO, DEMKO, KEMA, OVE, CEPEC, SEV | | |

Voltage : 450V
 Ampre : 24 A