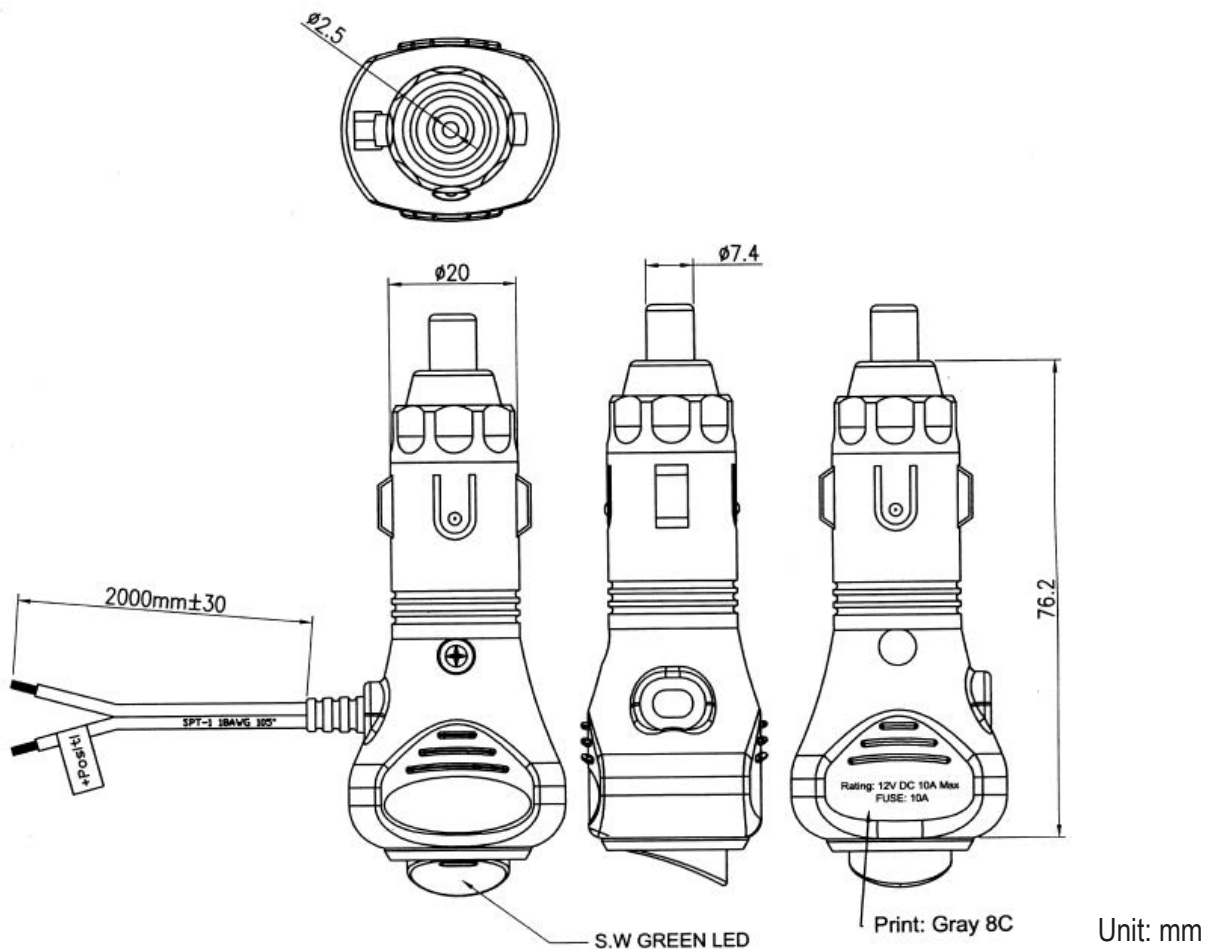


Lighter plug

| | |
|-----------------------|-----------------------|
| Rating | 12V DC 10A |
| Insulation Resistance | DC 500V 100M ohm Min. |
| Dielectric Strength | AC 1000V 1 minute |
| Operation Temperature | -20°C~60°C |
| Fuse Type | 250V/10A UL AFE (3AG) |



Tolerances Unless Otherwise Specified ± 0.5

This is a publication by Conrad Electronic SE, Klaus-Conrad-Str. 1, D-92240 Hirschau (www.conrad.com).

All rights including translation reserved. Reproduction by any method, e.g. photocopy, microfilming, or the capture in electronic data processing systems require the prior written approval by the editor. Reprinting, also in part, is prohibited. This publication represents the technical status at the time of printing.

© Copyright 2017 by Conrad Electronic SE.