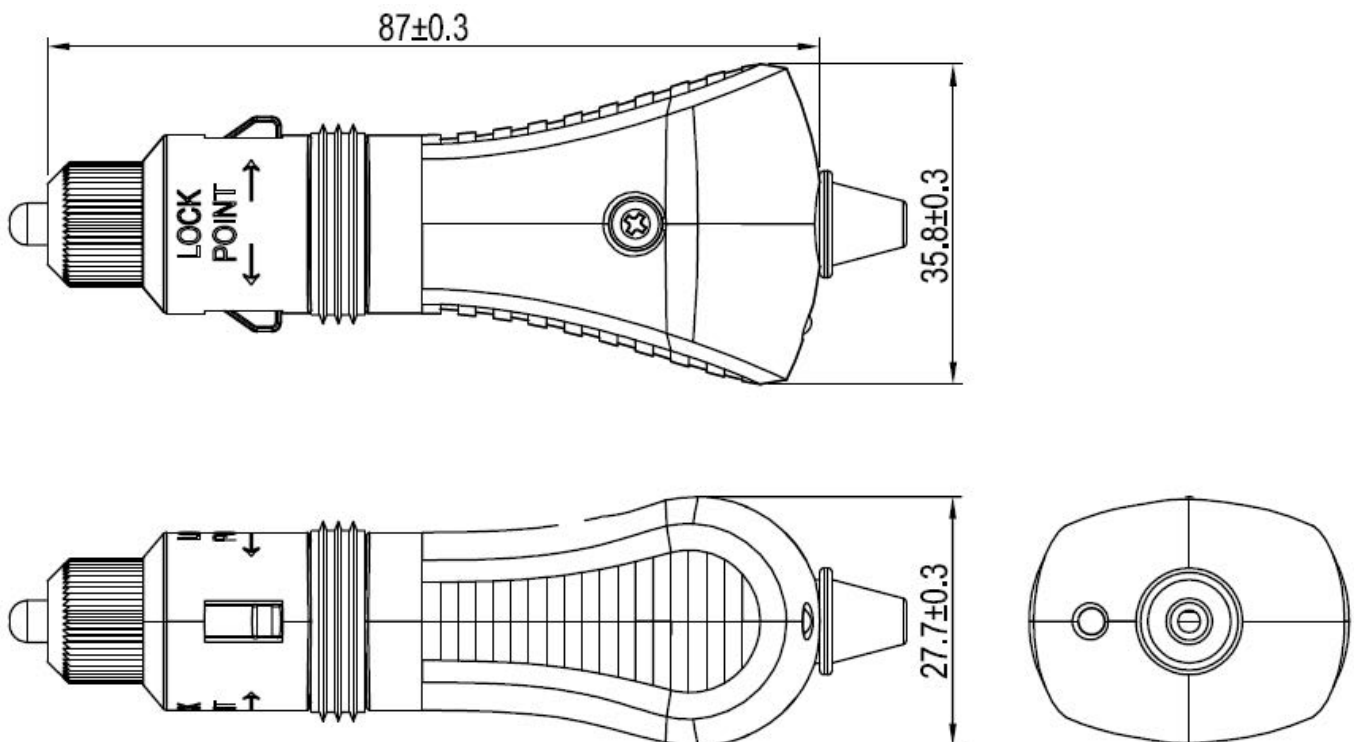


## Lighter plug

Rating	12V DC 15A
Insulation Resistance	DC 500V 100M ohm Min
Voltage Breakdown	AC 1000V 1minute
Operating temperature	-0°C~60°C



Unit: mm

**Tolerances  $\pm 0.3$  Unless Otherwise Specified**

This is a publication by Conrad Electronic SE, Klaus-Conrad-Str. 1, D-92240 Hirschau ([www.conrad.com](http://www.conrad.com)).

All rights including translation reserved. Reproduction by any method, e.g. photocopy, microfilming, or the capture in electronic data processing systems require the prior written approval by the editor. Reprinting, also in part, is prohibited. This publication represents the technical status at the time of printing.

© Copyright 2017 by Conrad Electronic SE.

# A13-151



## FEATURES

- \* RATING: 15A 12V DC
- \* MATERIAL
  - Housing: PBT ( UL 94-HB ).
  - Top contact: nickel plated metal.
  - Spring contact: nickel plated spring steel.
- \* Heavy duty lighter plug.
- \* Splash proof for IP44 rating.
- \* Internal strain relief & cord seal.
- \* With 15A glass tube fuse max.
- \* Green LED indicator.
- \* Fits wire SPT-2 16 AWG max.

