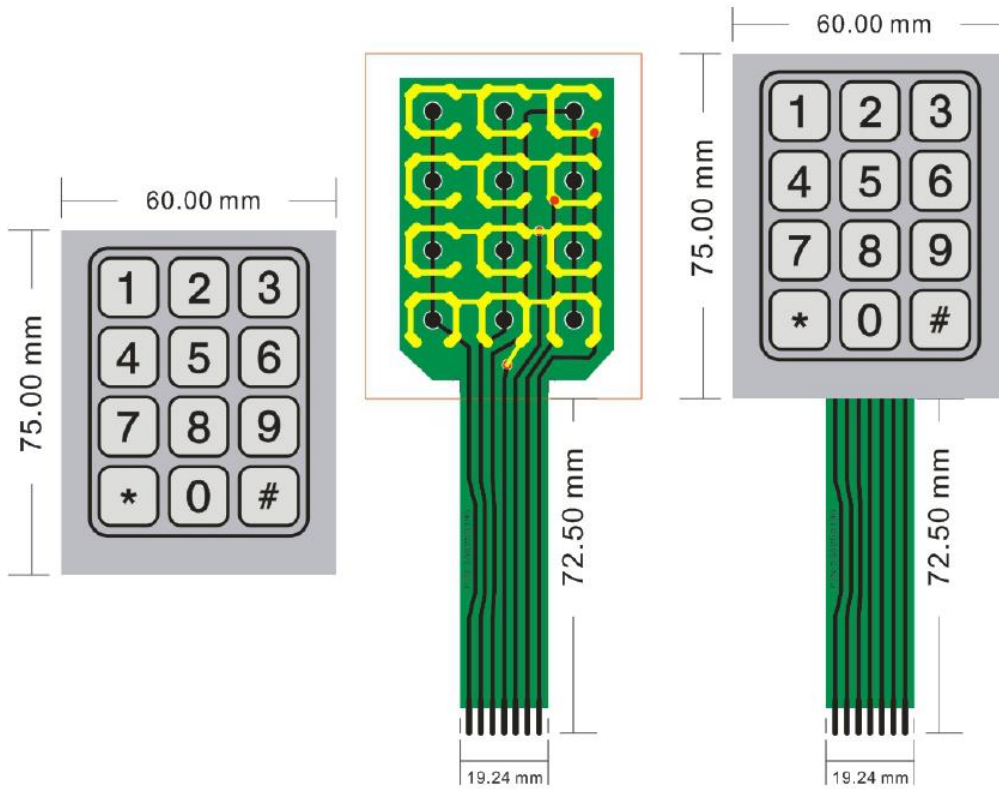


Membrane Keypad



Gram Force	280g +/- 12g
Voltage Rating	30 V/DC max.
Current Rating	30mA max.
Contact Resistance	<50 ohm
Insulation Resistance	>100 M-ohm
Operating Temperature	-20°C ~ 60°C

This is a publication by Conrad Electronic SE, Klaus-Conrad-Str. 1, D-92240 Hirschau (www.conrad.com).

All rights including translation reserved. Reproduction by any method, e.g. photocopy, microfilming, or the capture in electronic data processing systems require the prior written approval by the editor. Reprinting, also in part, is prohibited. This publication represents the technical status at the time of printing.