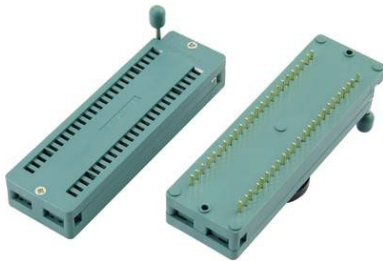
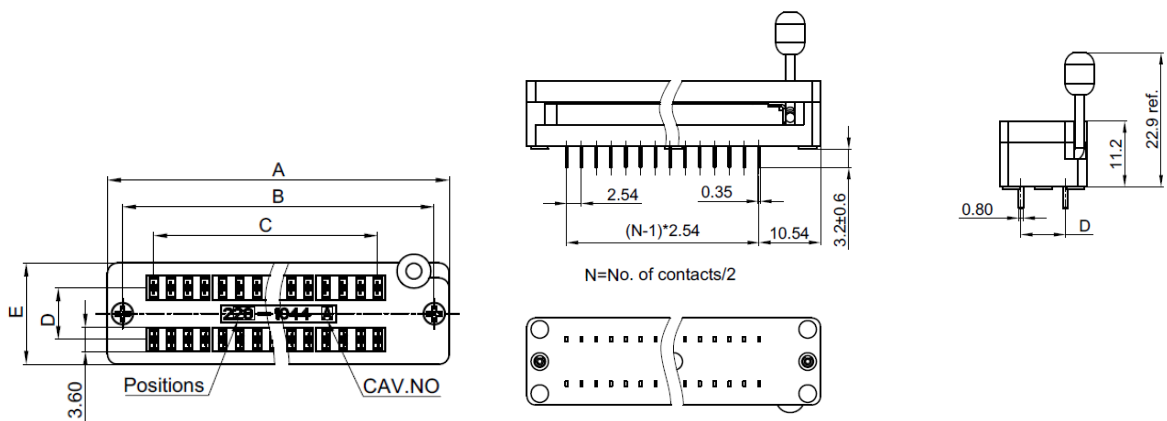


# Data Sheet

## ZIF Socket



Drawing:



BN	No. of pins	A	B	C	D	E
1564267	14	32.6	28.2	15.24	7.62	14.9
1565587	16	35.1	30.7	17.78	7.62	14.9
1571698	20	40.2	35.8	22.86	7.62	14.9
1568610	28	50.4	46.0	33.02	7.62	14.9

## Data Sheet

---

### Technical data

Rating: DC 50 V, 100 mA

Contact resistance: 50 mΩ Max.

Insulation resistance: 1000 mΩ Min.

Dielectric withstanding voltage: DC 500 V Min. for 60 seconds (Capacitance between adjacent contacts)

Durability: 25,000 cycles (with load)

Solderability: After flux 230 °C for  $5 \pm 0.5$  seconds, 95 % coverage

Soldering heat:  $260 \pm 5$  °C for  $5 \pm 1$  seconds

Operating & Storage temperature: -40 °C ~ +105 °C

Operating & Storage humidity: 95 %RH, 40 °C for 48 hrs

Housing colour: L: Blue

B: Black

G: Green

Contact plating: 6: Full Tin

F: Full 3u" gold

0: Full gold flash

General tolerance: x.  $\pm 0.60$

x.x  $\pm 0.38$

x.xx  $\pm 0.25$

Angle tolerance: x.  $\pm 5^\circ$

x.x  $\pm 3^\circ$

x.xx  $\pm 2^\circ$