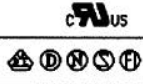
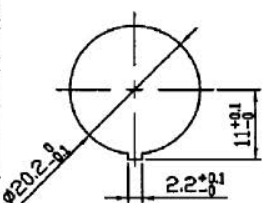
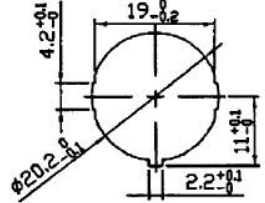
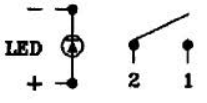
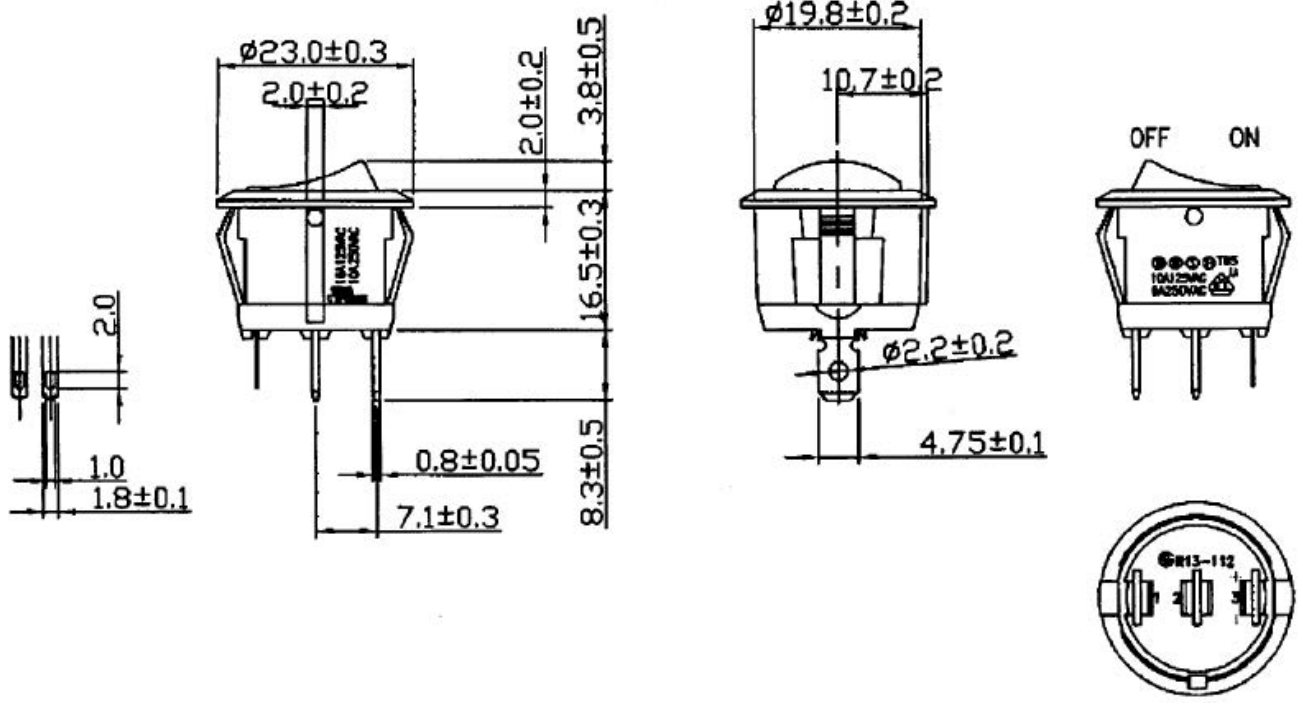
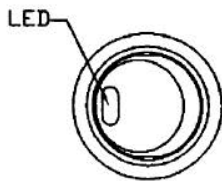


Rocker Switch, B/B GREEN 3V

| | | | | |
|---------------------|--------------------------|---|---|---|
| Rating | 16A 125VAC 10A 250VAC |  | Mount Hole | |
| | 10A 125VAC 6A 250VAC | |  Thickness: 2.0~3.0 |  Thickness: 0.7~3.0 |
| Contact R | 50m ohm Max. | |  Circuit Structure | |
| Insulation R | DC 500V 100M ohm Min. | | | |
| Dielectric Strength | AC 1500V 1 minute | | | |
| Operation Tempature | -20°C~85°C | | | |
| Circuit | 4P SPST ON-OFF (LED) | | | |



Unit: mm

This is a publication by Conrad Electronic SE, Klaus-Conrad-Str. 1, D-92240 Hirschau (www.conrad.com).
 All rights including translation reserved. Reproduction by any method, e.g. photocopy, microfilming, or the capture in electronic data processing systems require the prior written approval by the editor. Reprinting, also in part, is prohibited. This publication represents the technical status at the time of printing.
 © Copyright 2017 by Conrad Electronic SE.