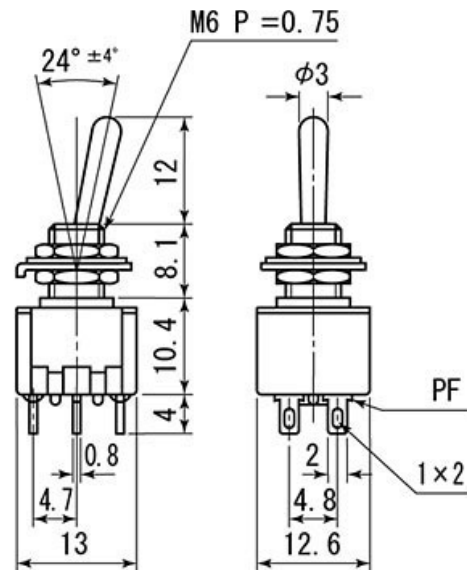


## Data Sheet

### Toggle Switch ON-ON 6P DPDT (MS-550F-B)



#### Construction :

|                 | Materials                  | Finish     |
|-----------------|----------------------------|------------|
| Lever           | BsBM2                      | Nickel     |
| Metal           | BsBM2                      | Nickel     |
| Hex Nut         | SWCH-8R                    | Nickel     |
| Lock Washer     | SK-6                       | Chromate   |
| Locking Ring    | SPCC                       | Chromate   |
| Frame           | SUS                        | Cleaning   |
| Body            | Melamine<br>Phenolic Resin | Green      |
| Terminal        | Cup                        | Ag plating |
| Common Terminal | Cup                        | Ag plating |

#### Specifications :

|                       |                              |
|-----------------------|------------------------------|
| Rating                | 3A. 125V. AC                 |
|                       | 1.5A. 250V. AC               |
| Circuit               | ON-ON DPDT (6P)              |
| Contact Resistance    | 20mΩ (max)                   |
| Insulation Resistance | DC500V Megger<br>100MΩ (min) |
| Voltage Breakdown     | AC1000V (1 minute)           |
| Life                  | 30,000 cycles                |