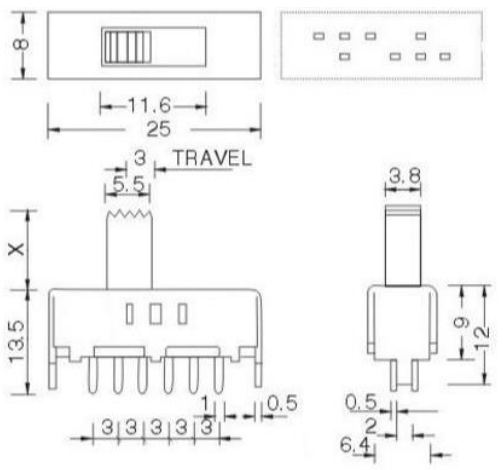
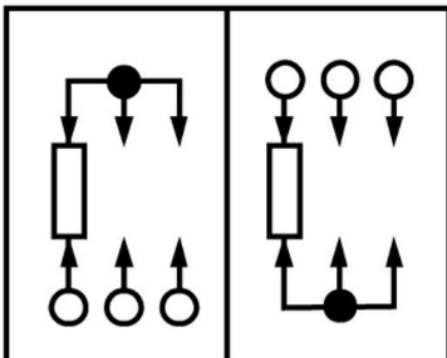


Data Sheet

Slide switch



Connection diagram:



Data Sheet

Technical Data

Switch postions	3
Connection	Print
Operation type	top
Switch position	2 x On/On/On
Type	2 x On/On/On
Switching current (max.)	1.5 A
Switching voltage	250 V AC
Switching voltage	250 V AC
Switching current	1.5 A
Contact type	2-pole On/On