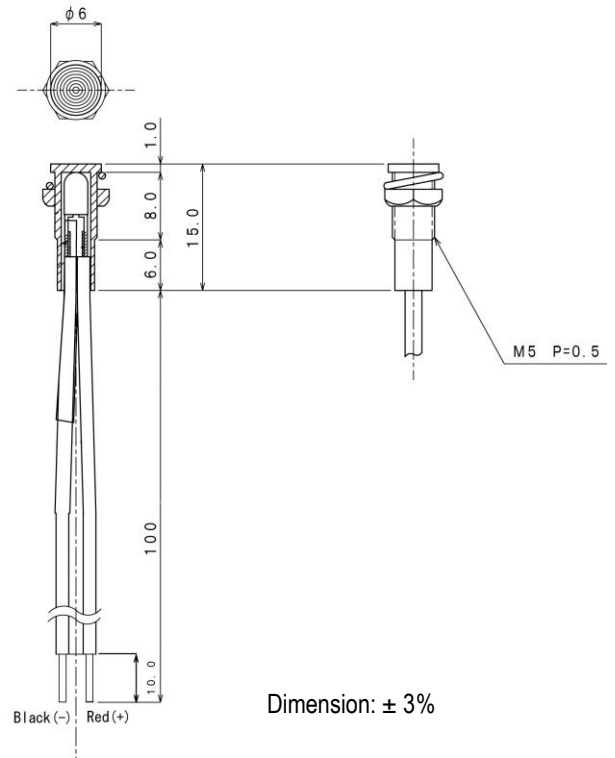


Datasheet

Item no. 1564877

V1_04132018_01_en



LED-Indicator Light 5 mm Mounting with 100 mm Lead Wire, 12 V (Green)

Material

Body:	Polycarbonate
Color (LED & Lens):	Green
Terminals (Lead Wires):	UL1007 AWG24 (100 mm)
Thread:	$\phi 5.00$ mm X L 8.0 mm pitch = 0.5 mm
Mounting Hole:	$\phi 5.2$ mm

Electrical

Rated Voltage:	DC 12V
Dielectric withstanding Voltage:	AC 500V / Minute
Current Consumption:	15mA
Insulation Resistance:	DC 500V 100 m Ω or More
Temperature range:	-20° C to +75° C