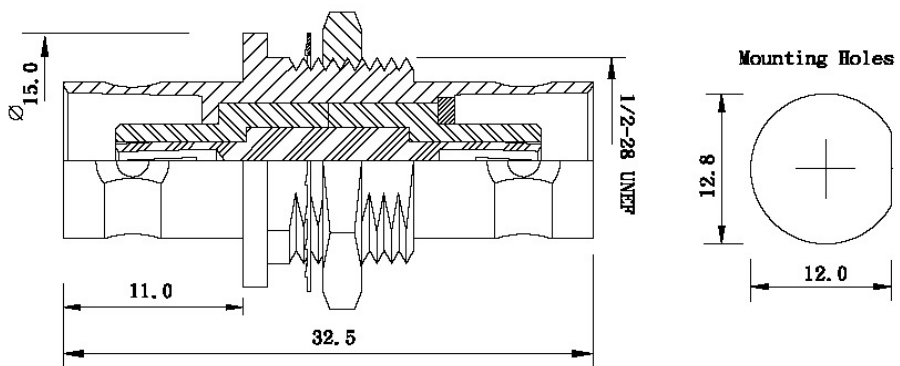


# Datasheet

Item no. 1564878

REVISIONS	
NO.	DESCRIPTION/DATE


Electrical	
Impedance	50 Ω
Frequency range	0-4GHz
VSWR	≤ 1.2 typ
Test voltage	1500 volts rms
Working voltage	400 V rms
Voltage rating	500 volts peak
Power handling	≤ 80 W (2GHz)
Other (MIL-C-30012 Cable Connectors)	Contact resistance: center contact ≤ 1.5 mΩ outer contact ≤ 1 mΩ Insertion loss: ≤ 0.1x√(GHz)dB Insulation resistance: ≥ 5000 MΩ
Material	
Mating cycles	≥ 500
Center contact captivation	axial: ≥ 27 N
Environmental	
Temperature range	-65°C + 165°C
Thermal shock	US MIL-STD 202, Meth, 107, Cond. B
Vibration	US MIL-STD 202, Meth, 204, Cond. B
Climatic class	IEC 60568 65/165/21
Shock	US MIL-STD 202, Meth, 218, Cond. B
Corrosion resistance	US MIL-STD 202, Meth, 101, Cond. B
Degree of protection (mated pair)	IEC 60529



No	Description	Material	Finish
5	Washer	Brass	Nickel
4	Nut	Brass	Nickel
3	Insulator	Teflon	White
2	Contact	Brass	Gold
1	Body	Brass	Nickel

**CUSTOMER OUTLINE DRAWING**  
 Unless Otherwise Specified Tolerances  
 Dimensions Are In Millimeters  
 And For Customer Reference Only

0.5-6±/-0.2  
 8-30±/-0.4  
 30-120±/-0.6  
 120-815±/-1.0

 Ra 0.8

Best No. 730465	
Part: B-016-TGN	
Title: BNC JACK-JACK BULKHEAD 50 Ω T.G.N.	
Date: Jun/11/2009	Scale: 3:1
Unit: M/M	Rev: A
Copy Right Reserved	