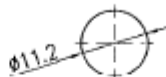
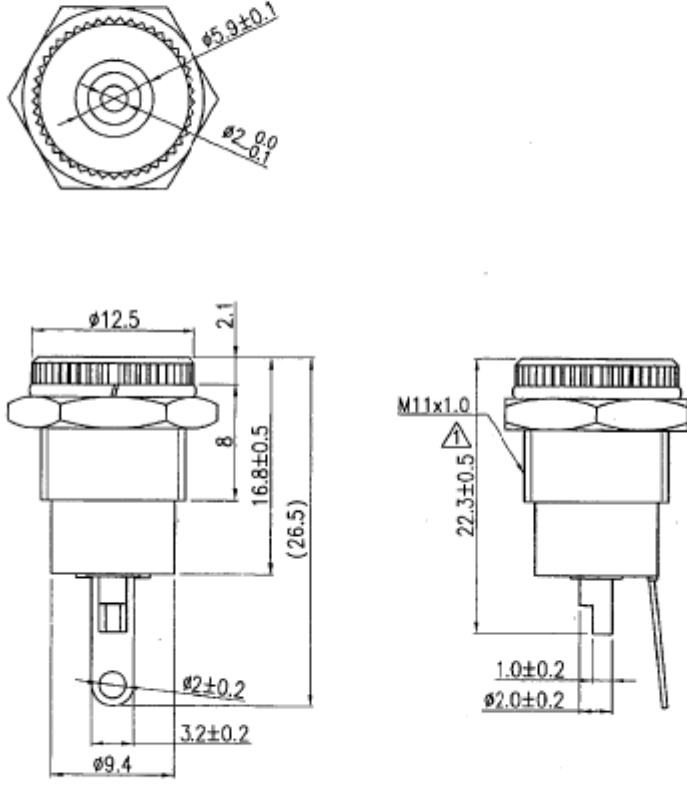


Data Sheet

Metal panel mount DC Jack, 2.1mm center pin diameters

Rating	3A 125V AC max. 3A 24V DC max.	Mounting Hole 
Insulation Resistance	DC 500V 100M ohm Min	
Dielectric Strength	AC 1000V 1 minute	

Material:
 Metal: Nickel plated brass



原稿
 2019.9.17
 研發部

For EC036
 For $\phi 5.5 \times \phi 2.1$ mm DC Plug
 Tolerances ± 0.3 Unless Otherwise Specified