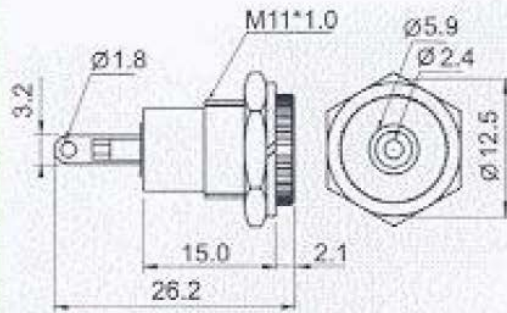


DC Jack, 2.5mm





FEATURES:

- Material:
Metal: nickel plated brass.
- For $\varnothing 5.5 \times \varnothing 2.5$ DC Plug.

CUT-OUT



 SO

 0.5~4.0mm

3A

DC500V 100M Ω

AC 1000V 1 minute

-10°C~+80°C

Unit mm