

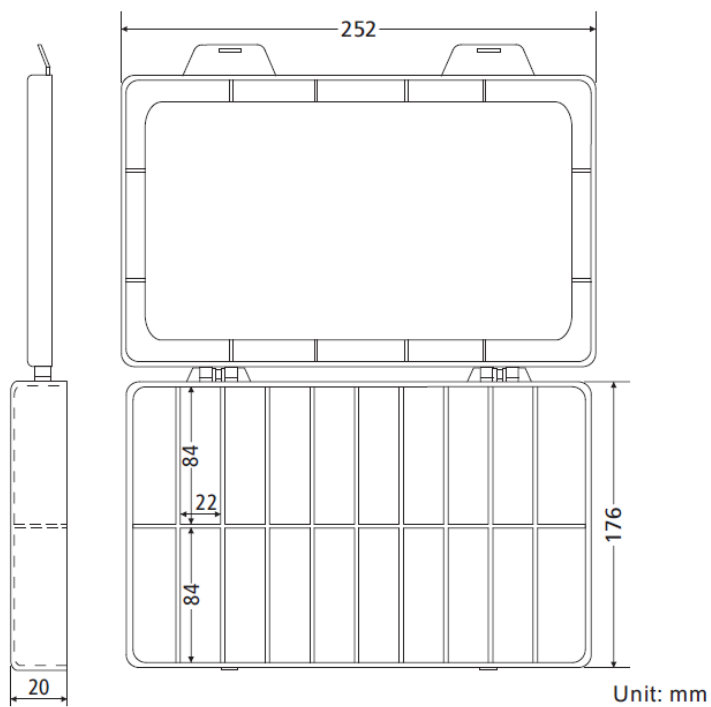
## Data Sheet

---

### Empty resistor Box, 20 sections



#### Drawing:



## Data Sheet

---

### Technical data

Material: Polypropylene (PP)

Colour: Transparent

Compartment: 20

Dividers type: Fixed

Overall maximum dimension: Approx. 252 x 200 x 25 mm

Weight: Approx. 260 g

Storage temperature: -20 ~ 70 °C