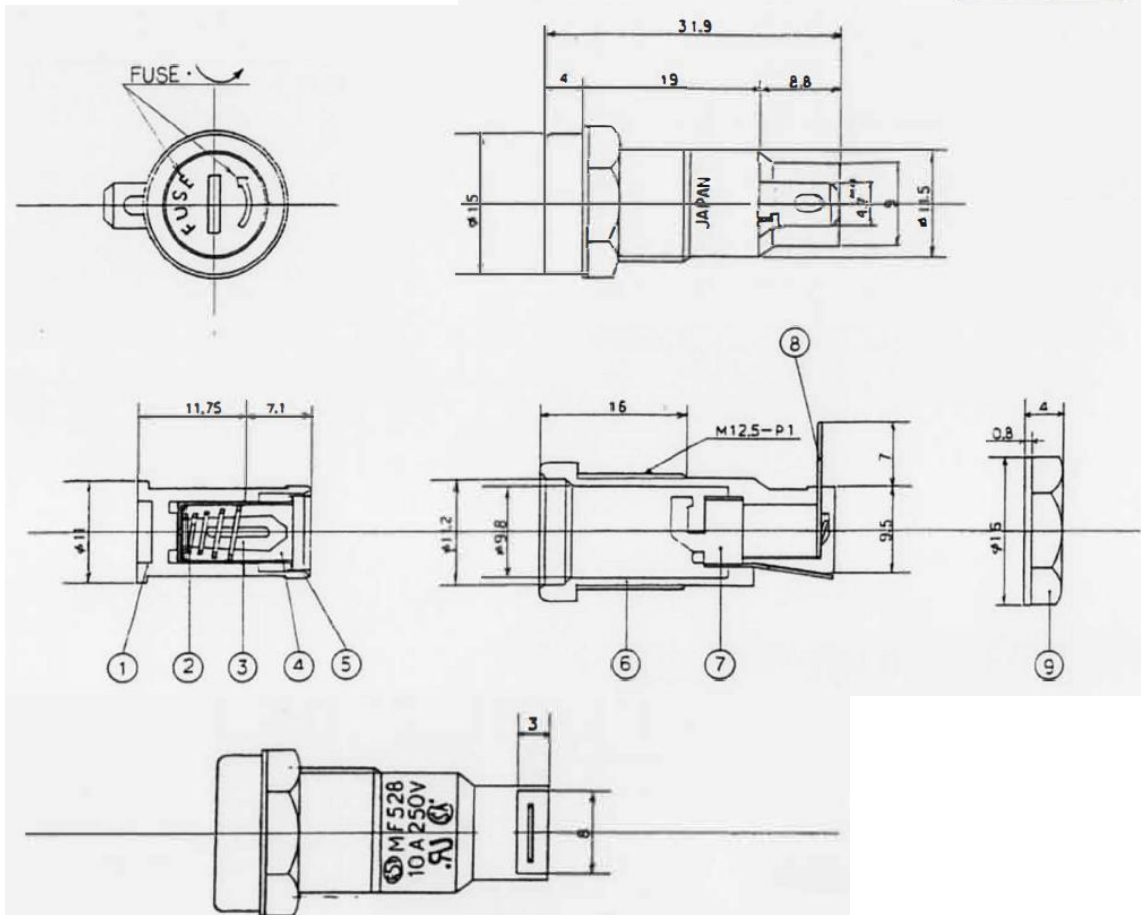
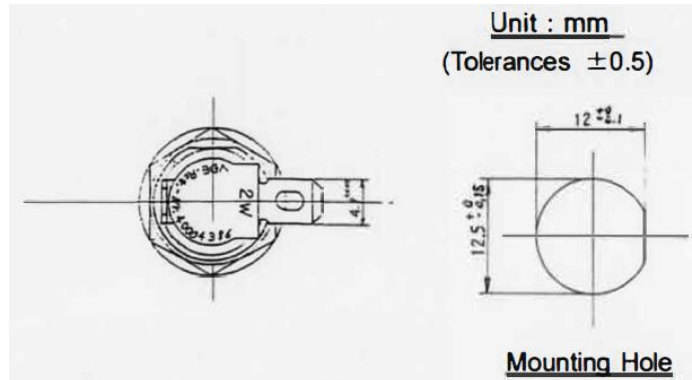


# Data Sheet

## Fuse Holder (MF-528)



## Data Sheet

---

### Construction :

| Name              | Materials           | Finish & Others |
|-------------------|---------------------|-----------------|
| ① Cap             | PBT Resin           | UL94V-0         |
| ② Hardware in Cap | Brass               | Tin Plating     |
| ③ Clip Spring     | Phosphor Bronze     | Tin Plating     |
| ④ Spring          | Piano Wire          | Nickel Plating  |
| ⑤ Insulator       | Polycarbonate Resin | UL94V-2         |
| ⑥ Body            | PBT Resin           | UL94V-0         |
| ⑦/⑧ Terminals     | Brass               | Tin Plating     |
| ⑨ Nut             | Polyamide Resin     | Tin Plating     |

### Technical data

Rating: 10A 250V / AC

Matching fuse: 5.2 dia. X 20mm

Cap release: BAYONET type

Terminal: FASTON #187

Material of body: P.B.T.

Approval: UL E89872, CAS LR59229, VDE 40004386