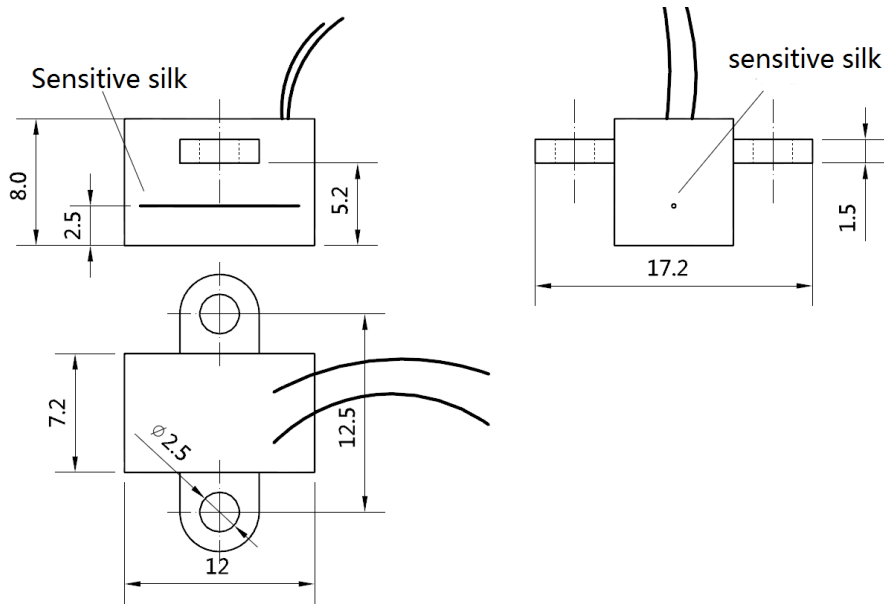


Wiegand Sensor



Name		Symbol	Value	Unit
Excitation strength	Min.	B	3	mT
	Typ.		5~6	
	Max.		12	
Pulse signal amplitude			≥ 1.5	V
Pulse width (in the location of 1V)			10~30	μ S
DC internal resistance			650~850	Ω
Operating frequency	Min.	f	Unlimited	kHz
	Max.		10	
Operating Temp.			-40~+125	$^{\circ}$ C
Outline Dimension and Typical installation			see the figure	-
Sensitive silk location (distance to the bottom)			2.5	mm
Package			Plastic shell, Epoxy potting	-
External lead			Resistance to high temperature soft wire	-