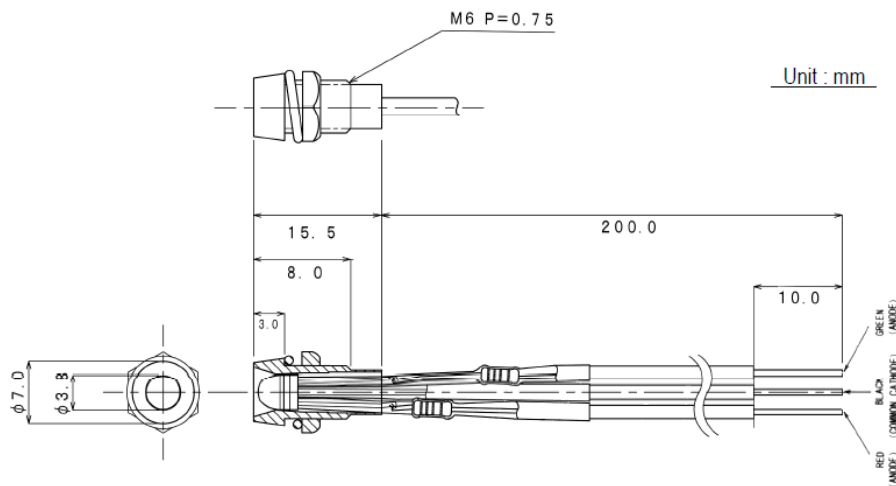


Datasheet

Item no. 1565914

V1_09062017_01_en



Indicator Light, Red/ Green

DATA	
Material of Body	chrome plated brass
Color (LED)	red, green
Lens	white
Voltage	24 V
Voltage Breakdown	AC 500 V / minute
Insulation Resistance	DC 500 V 100M Ω or more
Operating Temperature	- 20 to + 75°C
Terminals	lead wires (UL1007 AWG24)
Thread	φ6.00 mm X L 8.0 mm pitch = 0.75 mm
Mounting Hole (Recommended)	φ6.2 mm

This is a publication by Conrad Electronic SE, Klaus-Conrad-Str. 1, D-92240 Hirschau (www.conrad.com).

All rights including translation reserved. Reproduction by any method, e.g. photocopy, microfilming, or the capture in electronic data processing systems require the prior written approval by the editor. Reprinting, also in part, is prohibited. This publication represents the technical status at the time of printing.