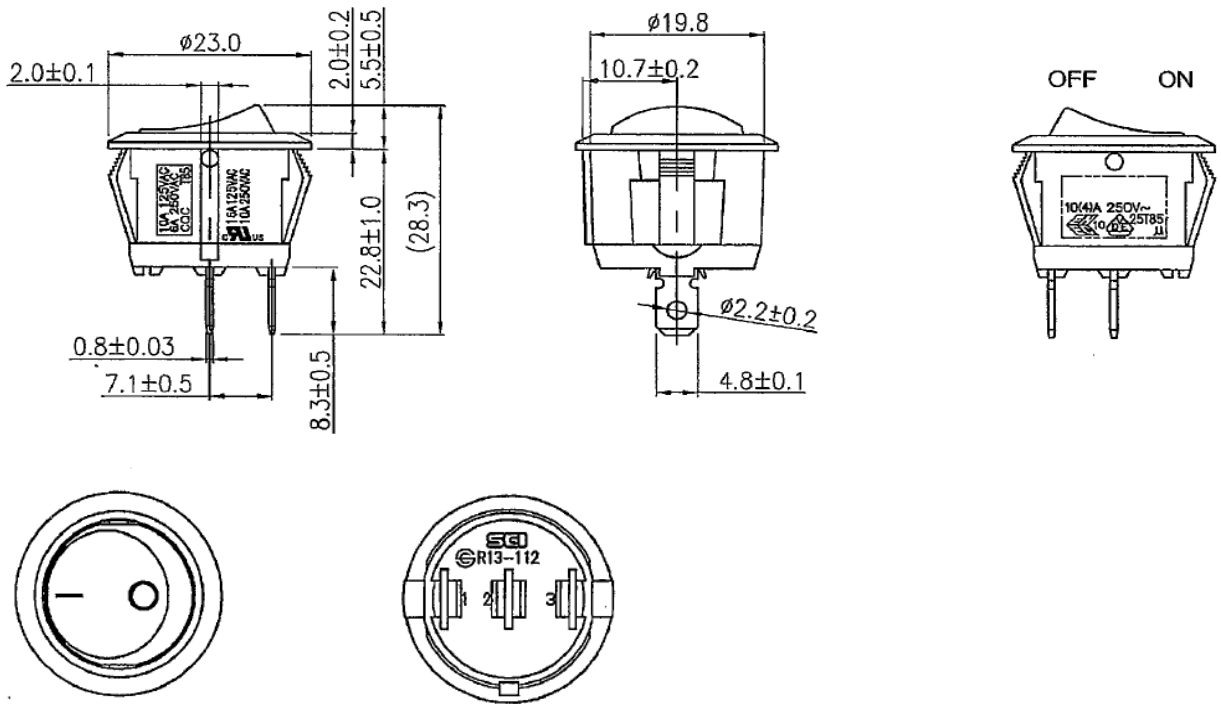


# Datasheet

Item no.: 1565955

## Rocker switch



Rating .....	10(4)A 250V AC
Function.....	2P SPST ON-OFF
Contact Resistance .....	50m ohm max.
Mounting hole.....	ψ20.2 mm
Frame .....	Black, nylon 66
Actuator .....	Black, nylon 66
Terminals.....	Silver plated, copper alloy
Printing .....	Hot stamping 0 -
Operation Temperature .....	-25°C to 85°C