
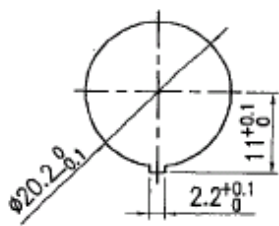
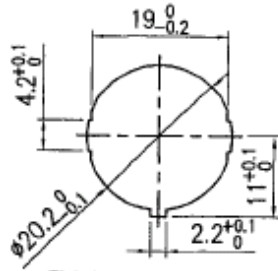

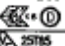
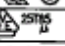
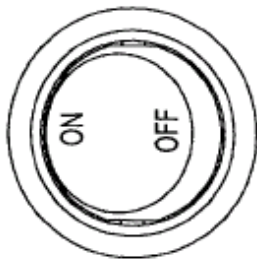


Datasheet

Item no.: 1565960

V1_0712_01_en

Rating	16A 125VAC, 10A 250VAC 	<div style="display: flex; justify-content: space-around;"> <div style="text-align: center;">  <p>Thickness: 2.0~3.0</p> </div> <div style="text-align: center;">  <p>Thickness: 0.7~3.0</p> </div> </div>
	10(4)A 125/250VAC T85 	
	20A 14VDC, 10A 28VDC 	
	10(4)A 250V~ 	
	10A 125VAC, 6A 250VAC CQC T85	
Contact Resistance	50m ohm Max.	
Insulation Resistance	DC 500V 100M ohm Min.	
Dielectric Strength	AC 1500V 1 minute	
Operation Temperature	-25°C~85°C	
Switch Function	2P SPST ON-OFF	



***MATERIAL:**
 Frame: Black, Nylon 66
 Actuator: Black, Nylon 66
 Terminals: Silver plated, Copper alloy
 Printed: White, ON OFF (0.3mm bold)

Circuit Diagram

