
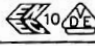
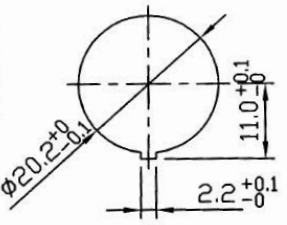
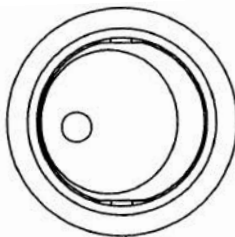
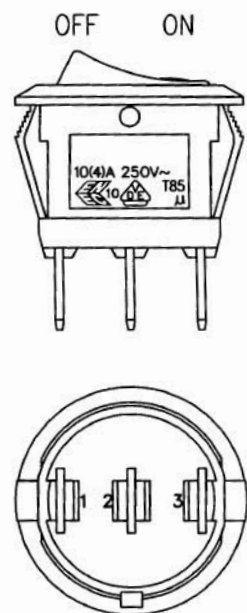
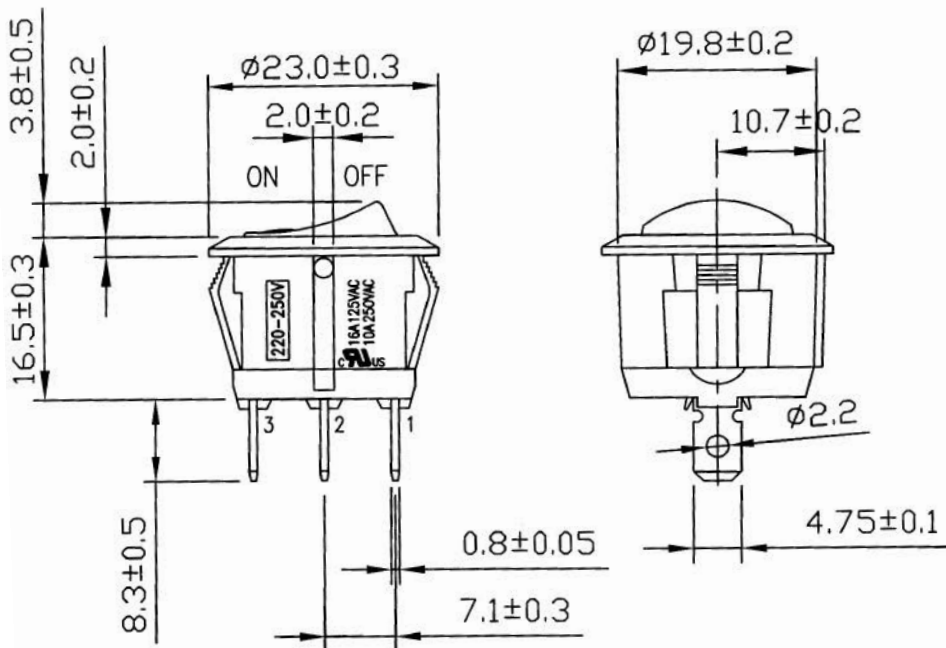
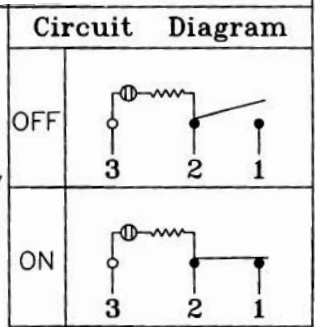


## Rocker switch 3P SPST ON-OFF (LED or Lamp)

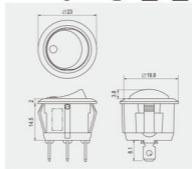
Rating	16A 125VAC 10A 250VAC		Mounting Hole	
	10(4)A 250V~			
Contact Resistance	50m ohm Max.			
Insulation Resistance	DC 500V 100M ohm Min.			
Dielectric Strength	AC 1500V 1 minute			
Operation Temperature	-20°C~85°C			
Circuit	3P SPST ON-OFF (Neon)		Thickness:2.0~3.0	Thickness:0.7~3.0



Material:  
 Frame: Black, Nylon 66 (94-V2)  
 Actuator: Black, Nylon 66 (94-V2)  
 Lens: Red Clear, PC  
 Terminals: Silver plated, Copper alloy  
 Lamp: Neon  
 Hot stamping: None



Unit: mm



<b>Rating</b>	16A 125V AC 10A 250V AC
<b>Contact resistance</b>	50mΩ Max
<b>Insulation resistance</b>	DC 500V 100MΩ Min
<b>Dielectric strength</b>	AC 1500V 1 minute
<b>Cut-out</b>	

**FEATURES**

- \* MATERIAL: Frame is nylon (UL flame: 94V-2). Terminals are silver plated brass.
- \* Illuminated actuators are molded in PC, available with red, amber, green, blue and white colors.
- \* Snap-in mounting, easy to install switch into panel.
- \* Except lever type actuator ( AP, BP, CP, DP, LP), waterproof cover is optional.
- \* Standard dimension of housing height is 14.5mm, if look for shorter height, please refer to page 1-55, item R13-208 with housing height 12.0mm.
- \* R13-112B9 & R13-112B9F: The LED is built with PCB for shifting to AC rating application.



<b>Cut-out for X8 ROCKER</b>	
	0.7-2.5 mm max

ROCKER	
A, B, BF C, D, E, F, G, H, I	A5
A2 E2 F2	LP
A2B	A8, B8 B8F C8, D8 F8, E8
B2 B2F	B9 B9F
L L3	AP BP CP DP



**Ordering number instruction**

R13-112 - - - -

FUNCTION	TERMINAL
<b>Different button (按钮不同)</b> <b>A</b> 2P SPST <b>A 2</b> 2P SPST <b>A 5</b> 2P SPST (Gloss Finish) <b>A P</b> 2P SPST <b>A 2 B</b> 2P SPST	0 2 187° SQ 0 9 PC 1 2 SO
<b>Illuminated / Different button (带灯/按钮不同)</b> <b>B</b> 3P SPST (NEON) <b>B 2</b> 3P SPST (NEON) <b>B 9</b> 3P SPST (W/O Lens) (LED) <b>B 1 0</b> 3P SPST (LED) <b>B P</b> 3P SPST (NEON)	12VAC 3KΩ / 25VAC 15KΩ 12VAC 3KΩ / 25VAC 15KΩ 12VAC 3KΩ / 25VAC 15KΩ 12VAC 3KΩ / 25VAC 15KΩ
<b>Momentary / Illuminated / Different button (弹回/带灯/按钮不同)</b> <b>B F</b> 3P SPST (NEON) <b>B 2 F</b> 3P SPST (NEON) <b>B 9 F</b> 3P SPST (W/O Lens) (LED)	12VAC 3KΩ / 25VAC 15KΩ 12VAC 3KΩ / 25VAC 15KΩ 12VAC 3KΩ / 25VAC 15KΩ
<b>Different position / Different button (动作特性不同/按钮不同)</b> <b>C</b> 3P SPDT <b>C P</b> 3P SPDT <b>D</b> 3P SPDT <b>D P</b> 3P SPDT	ON OFF ON ON OFF ON ON OFF ON ON OFF ON
<b>Momentary (弹回)</b> <b>E</b> 2P SPST <b>F</b> 2P SPST (ON) <b>G</b> 3P SPDT <b>H</b> 3P SPDT <b>I</b> 3P SPDT	OFF ON OFF ON ON OFF ON ON OFF ON ON OFF ON
<b>Independent circuit / Different button (独立电路/按钮不同)</b> <b>L</b> 4P SPST (LED) <b>L P</b> 4P SPST (LED) <b>L F</b> 4P SPST (LED)	OFF ON OFF ON OFF ON
<b>Waterproof (防水)</b> <b>A 8</b> 2P SPST <b>B 8</b> 3P SPST (NEON) <b>B 8 F</b> 3P SPST (NEON) <b>C 8</b> 3P SPDT <b>D 8</b> 3P SPDT <b>F 8</b> 2P SPST (ON) <b>E 8</b> 2P SPST	12VAC 3KΩ / 25VAC 15KΩ 12VAC 3KΩ / 25VAC 15KΩ ON OFF ON ON OFF ON OFF ON