

R13-112



Rating

10A 125V AC
6A 250V AC

Contact resistance

50mΩ Max

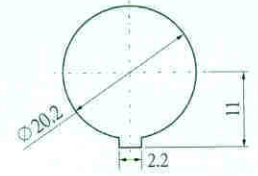
Insulation resistance

DC 500V 100MΩ Min

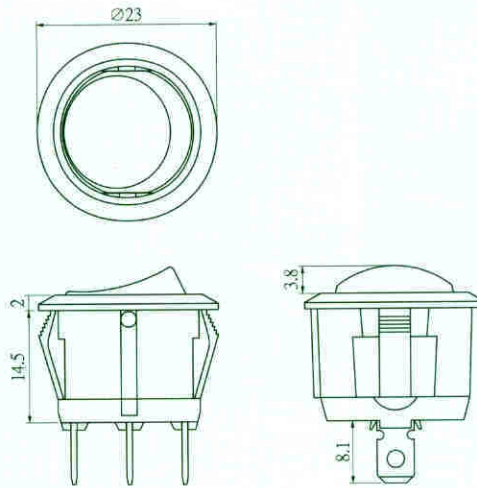
Dielectric strength

AC 1500V 1 minute

Cut-out



± 0.1 3 mm max



FEATURES

- * MATERIAL: Frames are nylon (UL flame: 94V-2). Terminals are silver plated brass.
- * Illuminated actuators are molded in PC, available with red, amber, and green colors.
- * Snap-in mounting, easy to install switch into panel.
- * Waterproof cover is optional., except LP type.
- * Dust resistant.

R13-112

FUNCTION				TERMINAL
A ON OFF 2P SPST	C ON ON 3P SPDT	G ON (ON) 3P SPDT	L F (ON) OFF 4P SPST (LED) LED Rating @10MA V _f =1.85V	0 2 187 SQ
A 2 ON OFF 2P SPST	D ON OFF ON 3P SPDT	H ON OFF (ON) 3P SPDT	L P ON OFF 4P SPST (LED) LED Rating @10MA V _f =1.85V	
B ON OFF 3P SPST (ILLUMINATED) 125VAC 33KΩ / 250VAC 150KΩ	E ON (OFF) 2P SPST	I (ON) OFF (ON) 3P SPDT	* () =momentary 	
B 2 ON OFF 3P SPST (ILLUMINATED) 125VAC 33KΩ / 250VAC 150KΩ	F (ON) OFF 2P SPST	L ON OFF 4P SPST (LED) LED Rating @10MA V _f =1.85V		

THE SPECIFICATIONS SUBJECT TO CHANGE WITHOUT NOTICE