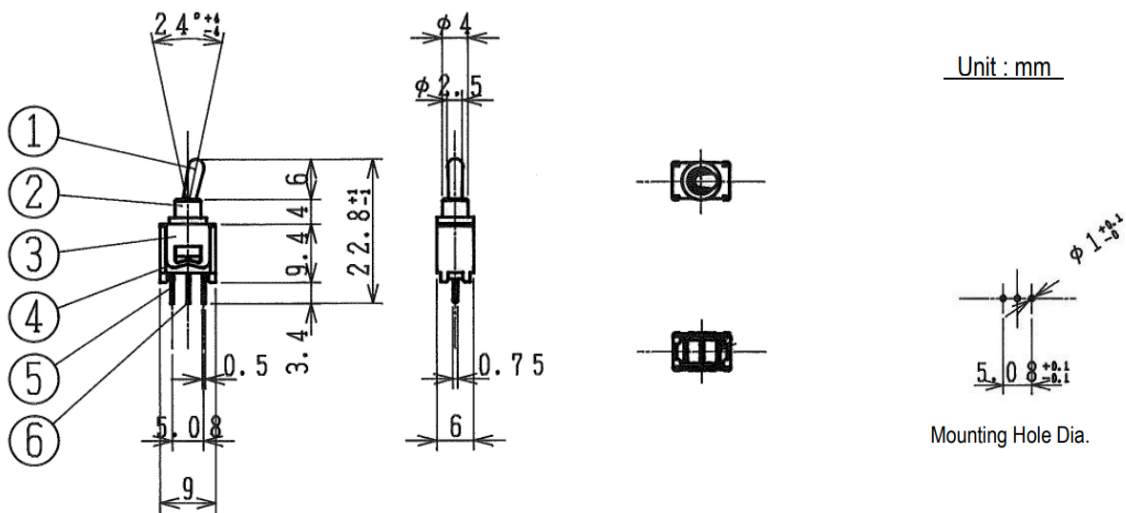


Data Sheet

Toggle switch



Construction :

	Materials	Finish
① Lever	brass	Ep-Cu/Ni
② Metal	brass	Ep-Cu/Ni
③ Frame	SUS	
④ Body	PF	black
⑤ Terminal	C1100R	Ep-Cu/Ag
⑥ Common Terminal	C1100R	Ep-Cu/Ag

Specifications :

Rating : 0.3 A.125 V. AC
 Circuit : ON-ON SPDT (3P)
 Contact Resistance : 20 m Ω or less
 Insulation Resistance : DC500 V Megger
 100 M Ω or more
 Voltage Breakdown : AC1000 V (1 minute)