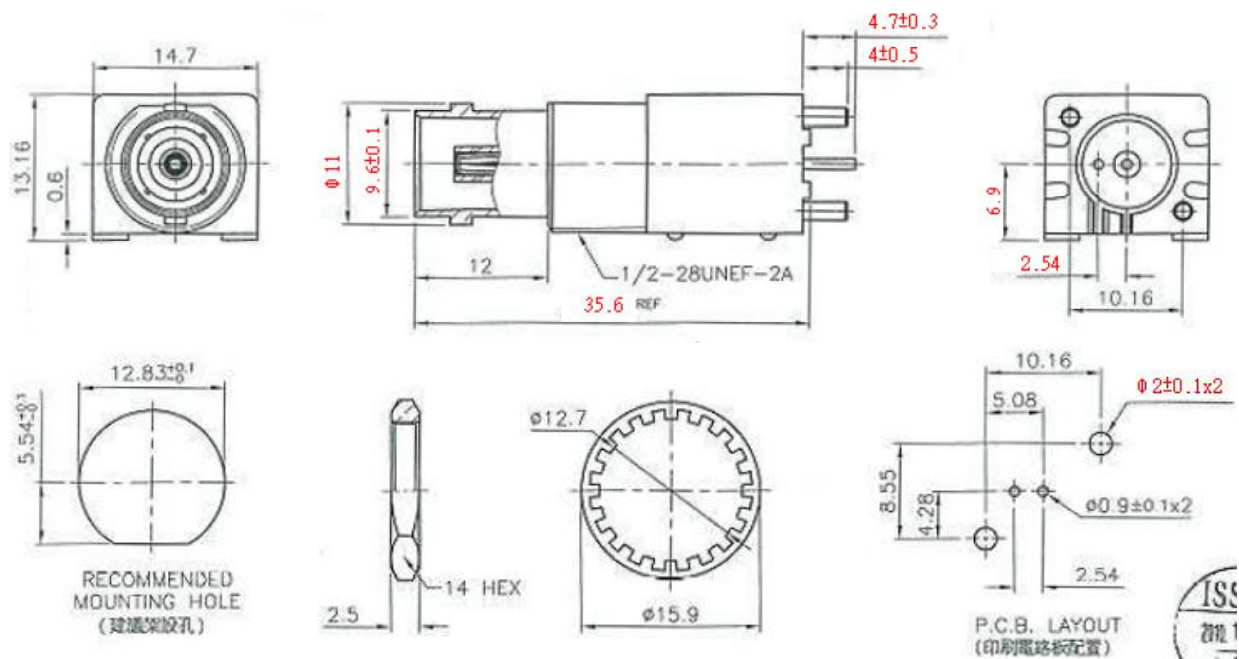


Data Sheet

BNC connector socket



1. MAX. PANEL THICKNESS=5.5mm
(最大板厚)

Data Sheet

NUT	BRASS	NICKEL		
WASHER	SS41	NICKEL		
SOLDER TAIL	COPPER WIRE	TIN		
POST	P. BRONZE	TIN		
CONTACT PIN	P. BRONZE	GOLD		
INSULATOR	PE-606	NATURAL		
HOUSING	PBT (94 V-0)	WHITE		
BODY	ZINC DIECAST	NICKEL		
DESCRIPTION	MATERIAL	FINISH	Q'TY	DRAWING NO.

Technical data

Cable category: RG 58, RG 223, RG 59 B/U, B 8227/ B 89207

Content: 1pc

Impedance: 50Ω

Connection: print

Seal type: Bayonet

Material: brass, nickel plated

Connector type: socket, vertical vertical

Insulation material: Polyamide 6.6

Front panel thickness: 4mm