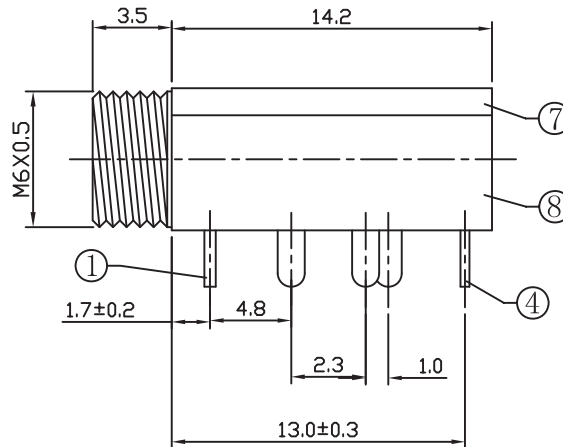
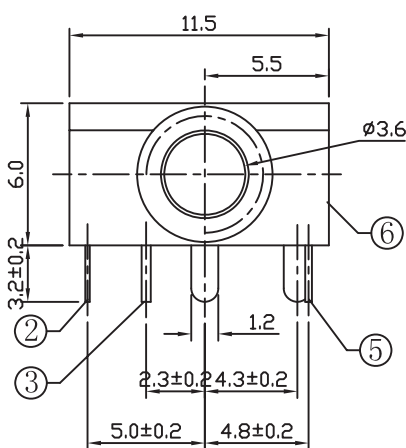
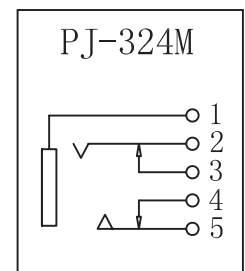


3.5 mm Stereo Phone Jack, Black



SCHEMATIC

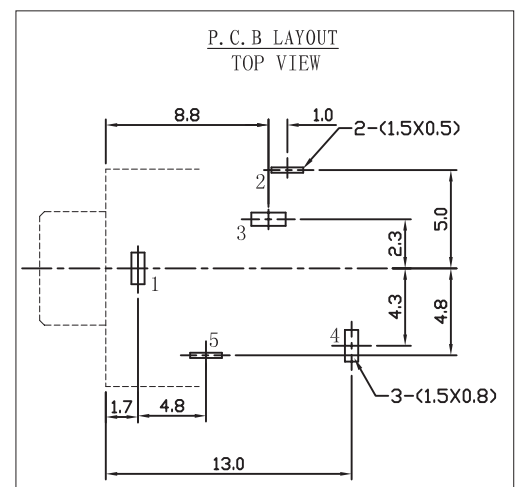


Material BOM

NO.	DESCRIPTION	QTY	MATERIAL	PLATING
8	HOUSING	1	PBT	
7	COVER	1	PBT	
6	AXIS SUPPORT	1	H59 BRASS	Ni-Plating
5	5#CONTACT FOOT	1	PHOSPHOR BRONZE	Ag-Plating
4	4#CONTACT FOOT	1	H62 BRASS	Ag-Plating
3	3#CONTACT FOOT	1	H62 BRASS	Ag-Plating
2	2#CONTACT FOOT	1	PHOSPHOR BRONZE	Ag-Plating
1	1#CONTACT FOOT	1	H62 BRASS	Ag-Plating
				PLATING

Specification

Rating	: 30VDC 0.5A
Contact Resistance	: <30Ω
Insulation Resistance	: >100MΩ
Withstand Voltage	: 500VAC (50/60Hz for 1 minute)
Operation Force	: 3 - 20N
Operating Temperature	: -20° ~ 70°
Cycles Life	: min. 5,000 times



This is a publication by Conrad Electronic SE, Klaus-Conrad-Str. 1, D-92240 Hirschau (www.conrad.com).

All rights including translation reserved. Reproduction by any method, e.g. photocopy, microfilming, or the capture in electronic data processing systems require the prior written approval by the editor. Reprinting, also in part, is prohibited. This data represent the technical status at the time of printing. Changes in technology and equipment reserved.