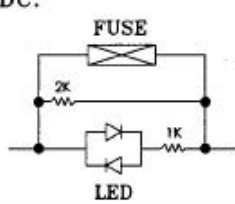
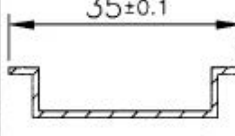
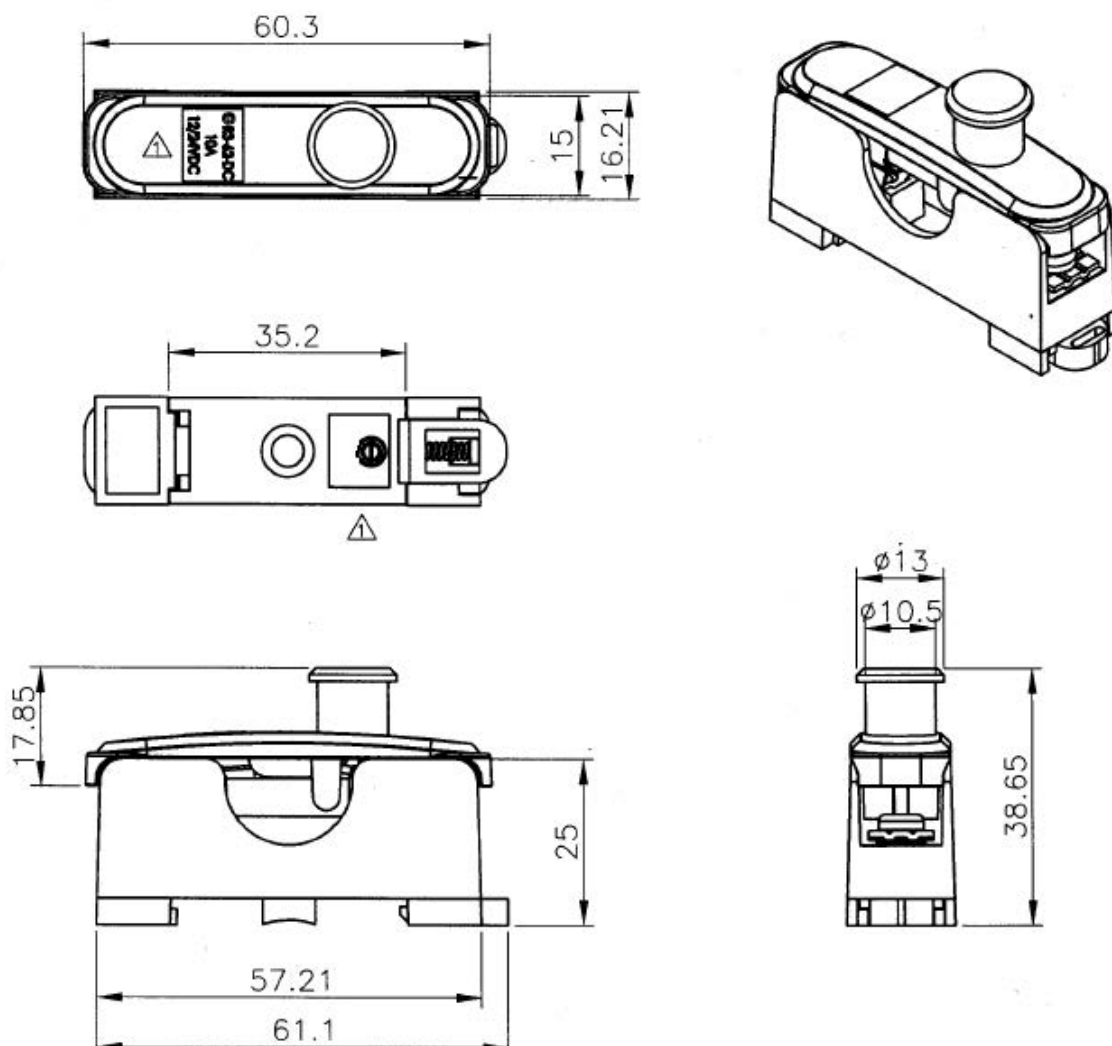


# Datasheet

Item no. 1566287

V1\_0817\_01\_ml

## Fuse Holder

規格 Rating	10A 12/24VDC	線路圖 Circuit Structure	裝配圖 Mount Hole
絕緣電阻 Insulation R.	DC 500V 100M ohm Mid	DC: 	
耐電壓 Dielectric Strength	AC 1000V 1 minute		
保險絲規格 Fuse Spec.	ø6.35*31.8 Glass tube Fuse ø6.4*30	裝配板厚:1.0~1.2mm	
*Fuse in optional			
			

Unit mm

This is a publication by Conrad Electronic SE, Klaus-Conrad-Str. 1, D-92240 Hirschau (www.conrad.com).

All rights including translation reserved. Reproduction by any method, e.g. photocopy, microfilming, or the capture in electronic data processing systems require the prior written approval by the editor. Reprinting, also in part, is prohibited. This publication represents the technical status at the time of printing.

© Copyright 2017 by Conrad Electronic SE.