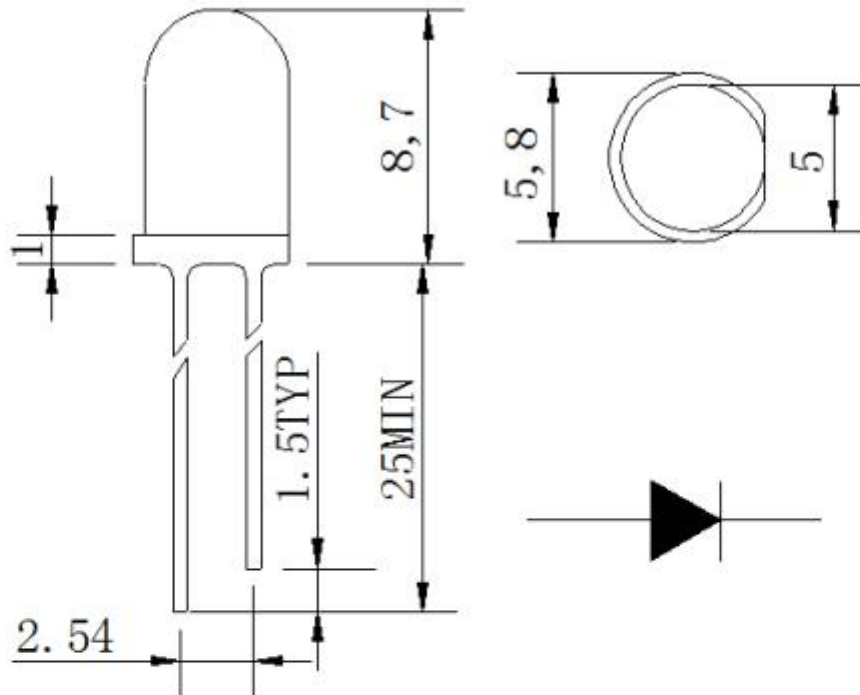


## Brighter 5.0 mm Round UV Lamp

Part No: YDG-504VC



Epoxy Color	Material	Emitting Color
Water clear	<u>InGaN</u>	Purple

### Note:

1. All dimensions are in millimeters.
2. Tolerance is  $\pm 0.25\text{mm}$  unless otherwise noted.
3. Protruded resin under flange is 1.6mm max.
4. Lead spacing is measured where the leads emerge from the package.
5. Specifications are subject to change without notices.

# Datasheet

Item no. 1566400

V1\_07172018\_01\_en

Parameter	Maximum	Unit
Power Dissipation	80	mW
Peak Forward current (1/10 Duty Cycle, 0.1ms Pulse Width)	100	mA
Continuous Forward Current	20	mA
Reverse Voltage	5	V
Operating Temperature Range	-25°C to+ 85°C	
Storage Temperature Range	-25°C to+ 100°C	
Lead Soldering Temperature [1.6mm (0.63")from body]	260°C for 3 Seconds	

## Electrical/Optical Characteristics at Ta=25°C

Parameter	Symbol	Test Condition	Min	Typ	Max	Unit
Luminous Intensity	IV	IF=20mA	300	400		mcd
Dominant Wavelength	$\lambda_d$	IF=20mA	398	402		nm
Viewing Angle	2 $\theta$ 1/2	IF=20mA		20		deg
Forward Voltage	VF	IF=20mA	3.0	3.4		V
Reverse Current	IR	VR=5V			10	$\mu$ A

**Part No: YDG-504VC**

**Typical Electrical/Optical Characteristics Curve:**

(25°C Ambient Temperature Unless Otherwise Noted)

Fig1:Relative Intensity vs Wavelength

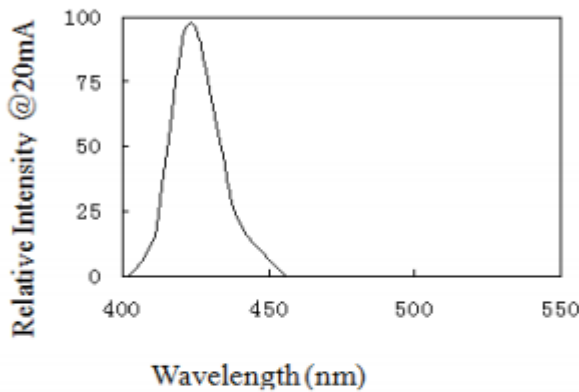


Fig2:Forward Current vs Forward Voltage

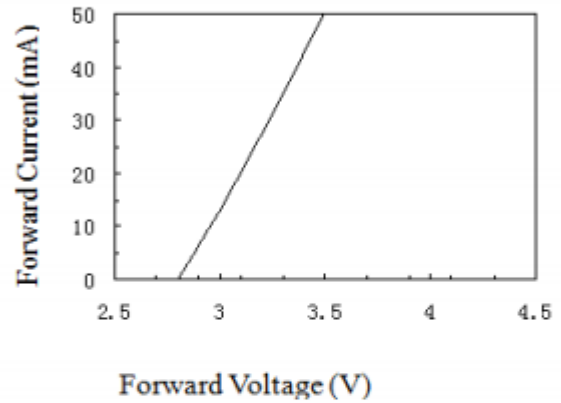


Fig3:Relative Intensity vs Forward Current

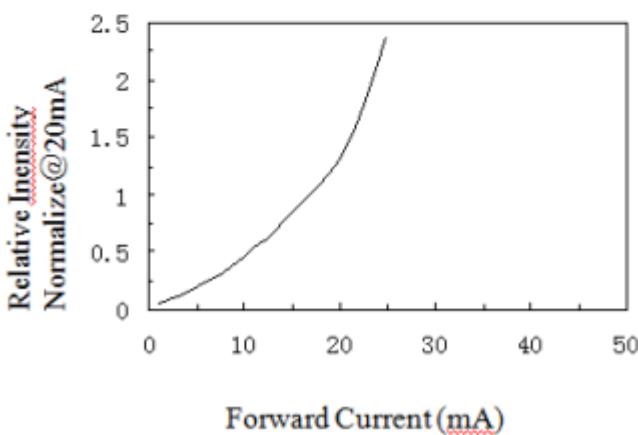


Fig4:Forward Voltage vs Temperature

