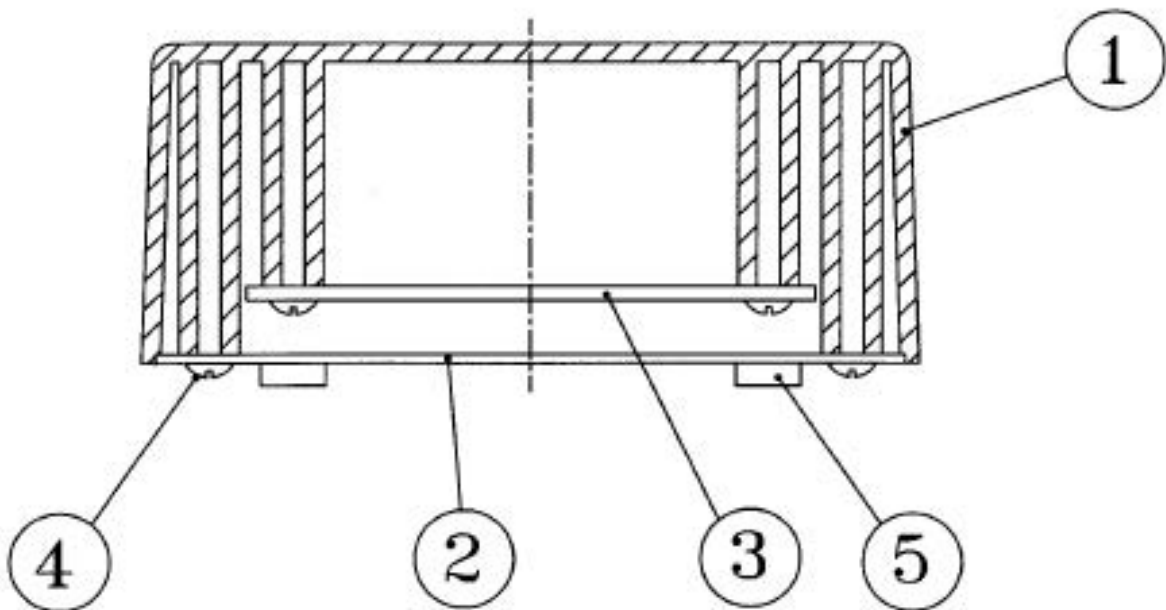


Project Box (80 x 50 x 38mm)



5	Rubber Pad	4	SBR(NITO NO 500)	7x7x2.5	With back glue	
4	Self-tapping Screw	6	Steel	ø3x6	Zn-Plated	
3	PCB	1	PF	t=1.6 94HB		
2	Bottom Cover	1	A6061P-1/2H	t=1.0		
1	Top Cover	1	ABS	t=2.0		
No	Description	Q'ty	Material	Specification	Finish	Remark

This is a publication by Conrad Electronic SE, Klaus-Conrad-Str. 1, D-92240 Hirschau (www.conrad.com).

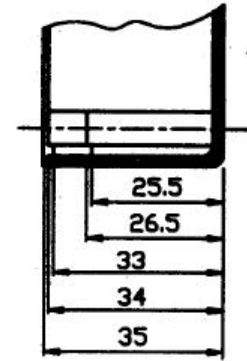
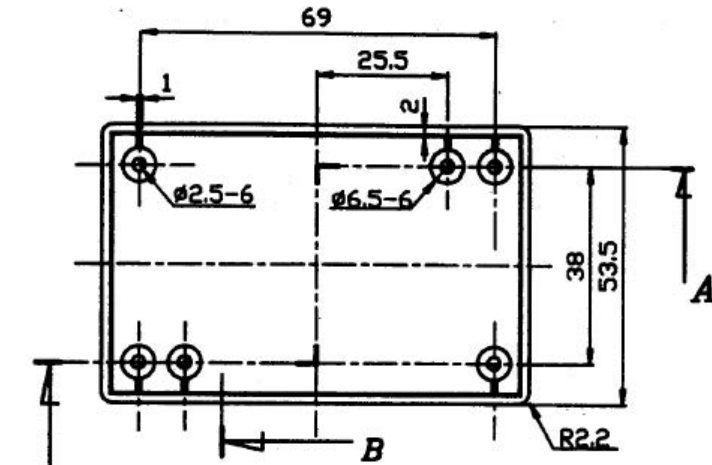
All rights including translation reserved. Reproduction by any method, e.g. photocopy, microfilming, or the capture in electronic data processing systems require the prior written approval by the editor. Reprinting, also in part, is prohibited. This publication represents the technical status at the time of printing.

© Copyright 2017 by Conrad Electronic SE.

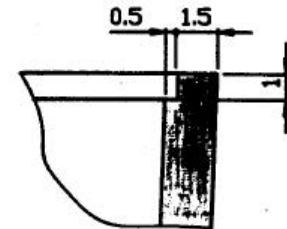
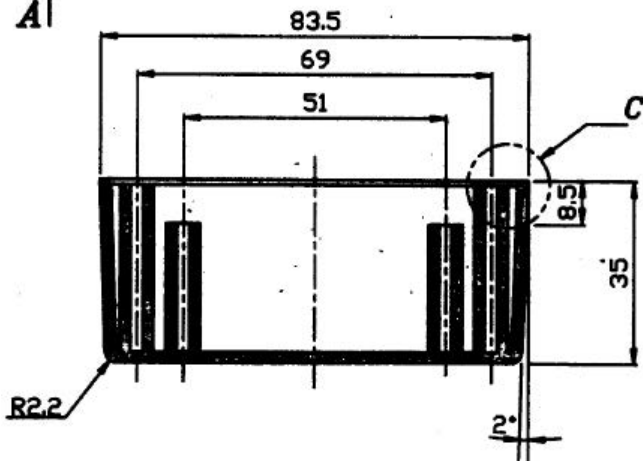
Datasheet

Item no. 1566411

V1_0717_01_en



B-SEC



C-SCALE 5:1

A-A SEC

Unit: mm

1 No	Top Cover Description	1 Q'ty	ABS Material	Black Specification	Finish	Remark

This is a publication by Conrad Electronic SE, Klaus-Conrad-Str. 1, D-92240 Hirschau (www.conrad.com).

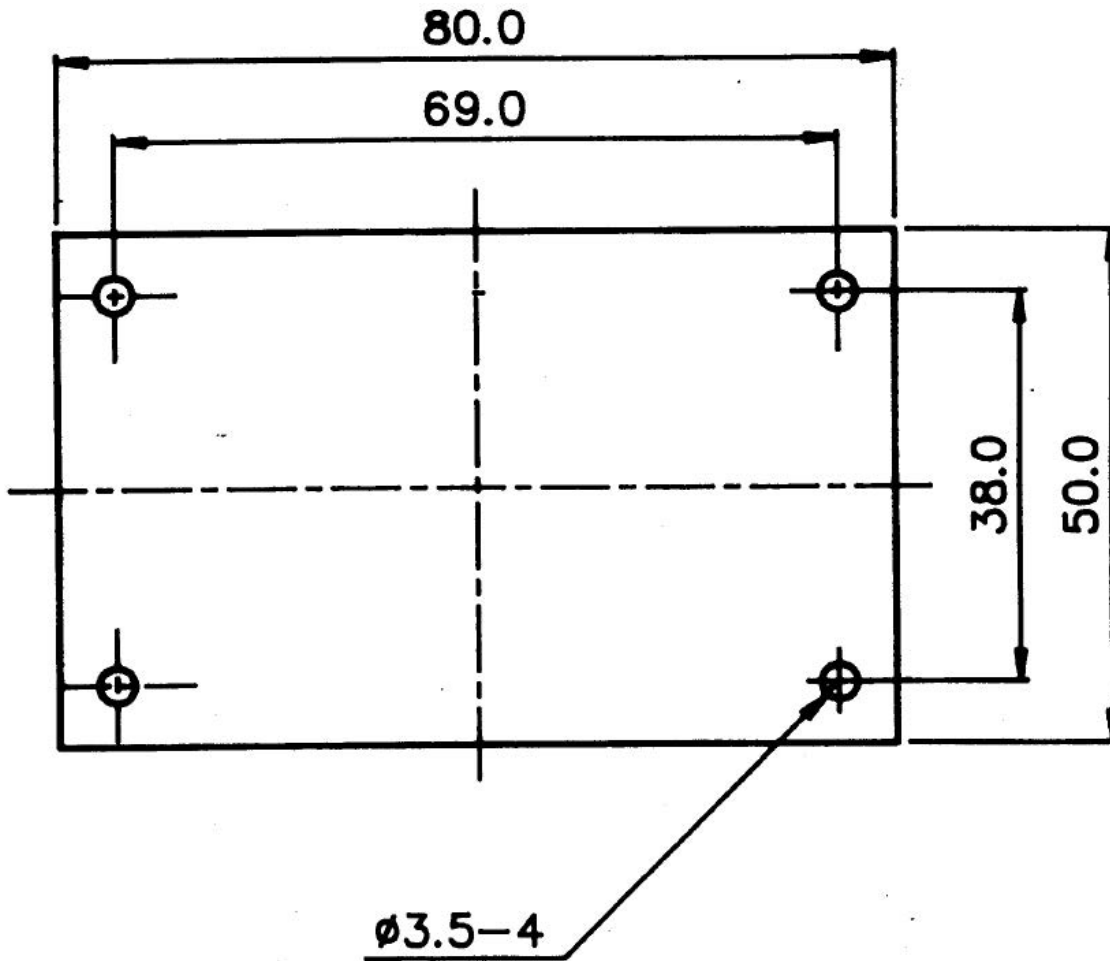
All rights including translation reserved. Reproduction by any method, e.g. photocopy, microfilming, or the capture in electronic data processing systems require the prior written approval by the editor. Reprinting, also in part, is prohibited. This publication represents the technical status at the time of printing.

© Copyright 2017 by Conrad Electronic SE.

Datasheet

Item no. 1566411

V1_0717_01_en



Unit: mm

No	Description	Q'ty	Material	Specification	Finish	Remark
2	Bottom Cover	1	A6061P-1/2H	t=1.0		

This is a publication by Conrad Electronic SE, Klaus-Conrad-Str. 1, D-92240 Hirschau (www.conrad.com).

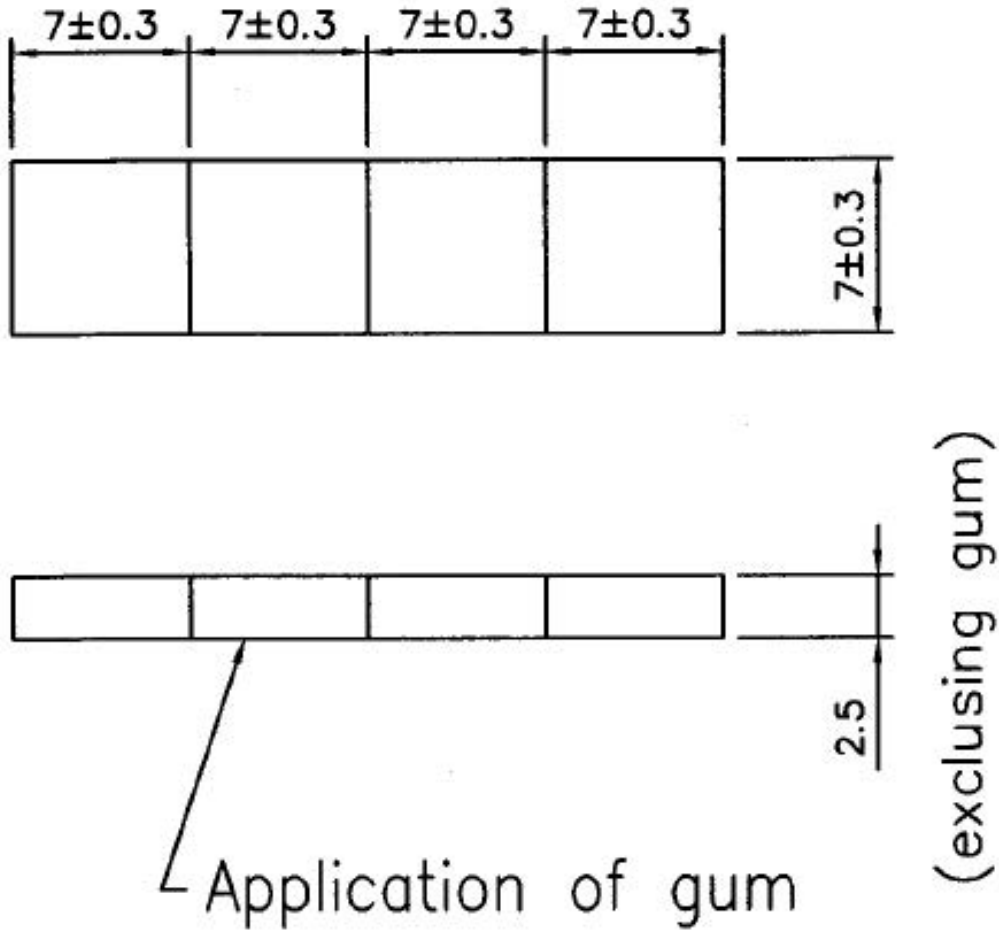
All rights including translation reserved. Reproduction by any method, e.g. photocopy, microfilming, or the capture in electronic data processing systems require the prior written approval by the editor. Reprinting, also in part, is prohibited. This publication represents the technical status at the time of printing.

© Copyright 2017 by Conrad Electronic SE.

Datasheet

Item no. 1566411

V1_0717_01_en



Unit: mm

No	Description	Q'ty	Material	Specification	Finish	Remark
5	Rubber Pad	1	SBR(NITO Na 500)	Black T=2.5		

This is a publication by Conrad Electronic SE, Klaus-Conrad-Str. 1, D-92240 Hirschau (www.conrad.com).
 All rights including translation reserved. Reproduction by any method, e.g. photocopy, microfilming, or the capture in electronic data processing systems require the prior written approval by the editor. Reprinting, also in part, is prohibited. This publication represents the technical status at the time of printing.

© Copyright 2017 by Conrad Electronic SE.