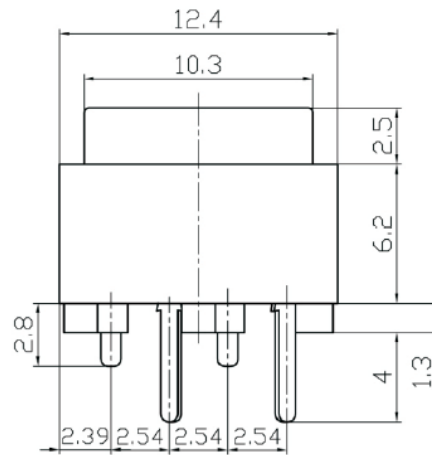


Data Sheet

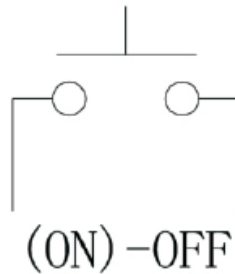
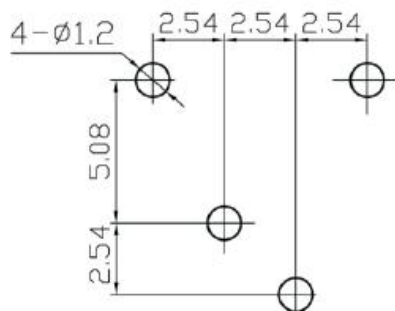
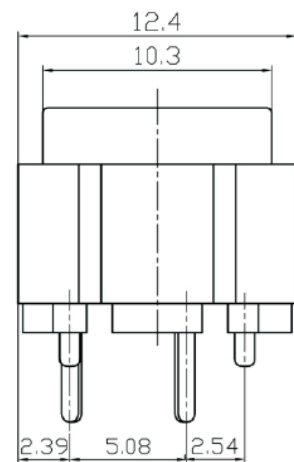
Pushbutton 50 V DC/AC 0.025 A 1 x Off/(On) momentary contact 1 pc



(Mounting)



(Circuitry)



Specification

(Rating): 25mA 50V AC or DC

(Contact R): 50mΩ max

(Insulation R): 500V DC 100MΩ min

(Dielectric Strength): 1 Minute 1000V AC

(Operating Temperature): -25°C ~ +85°C

(Electrical Life): 50, 000 Cycles