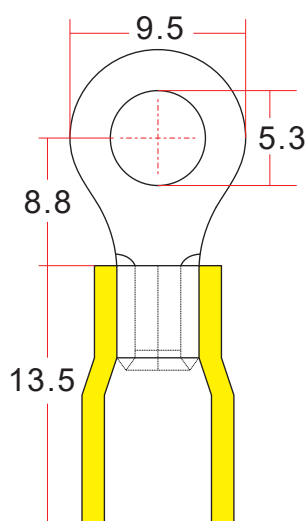


# Insulated Crimp Ring Terminal Connector Set, 50pcs

Cross section: 4.0-6.0 mm<sup>2</sup>



## Specification

Insulator material: Vinyl(PVC)  
Terminal material: Copper  
Working Temperature: 75°C max.  
Rating voltage: 300 V/AC max.  
Rating current: 15 Amp. max.