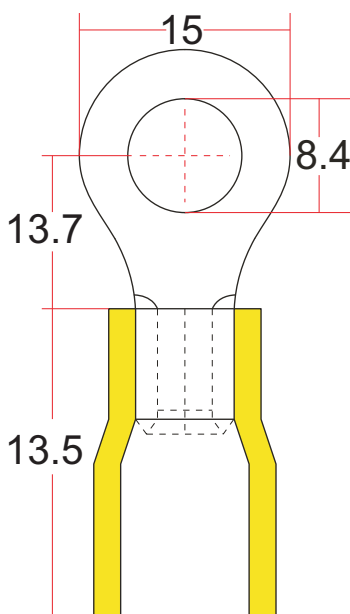


Data Sheet

Insulated Crimp Ring Terminal Connector Set, 50 pcs

Cross section: 4.0-6.0mm²



Specification

Insulator material: Vinyl(PVC)

Terminal material: Copper

Working Temperature: 75°C max.

Rating voltage: 300V/AC max.

Rating current: 15Amp.max.