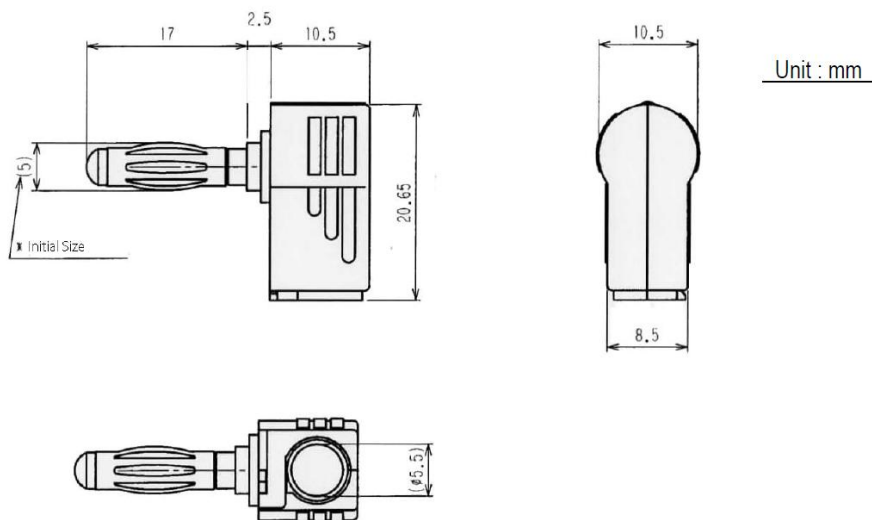


Data Sheet

Banana plug, angled pin Ø: 4 mm red 1 pc. (MK-621L)



MK-621L-R (BN1567109)



Specifications :

Electrical Characteristic	Insulation Resistance	100mΩ (min.) at DC 500V
	Dielectric Strength	500V AC for Minute
Material	Contact (Spring)	Phosphor Bronz (Ni)
	Shaft	Brass (Ni)
	Base	Polycarbonate
	Cap	Polypropylene