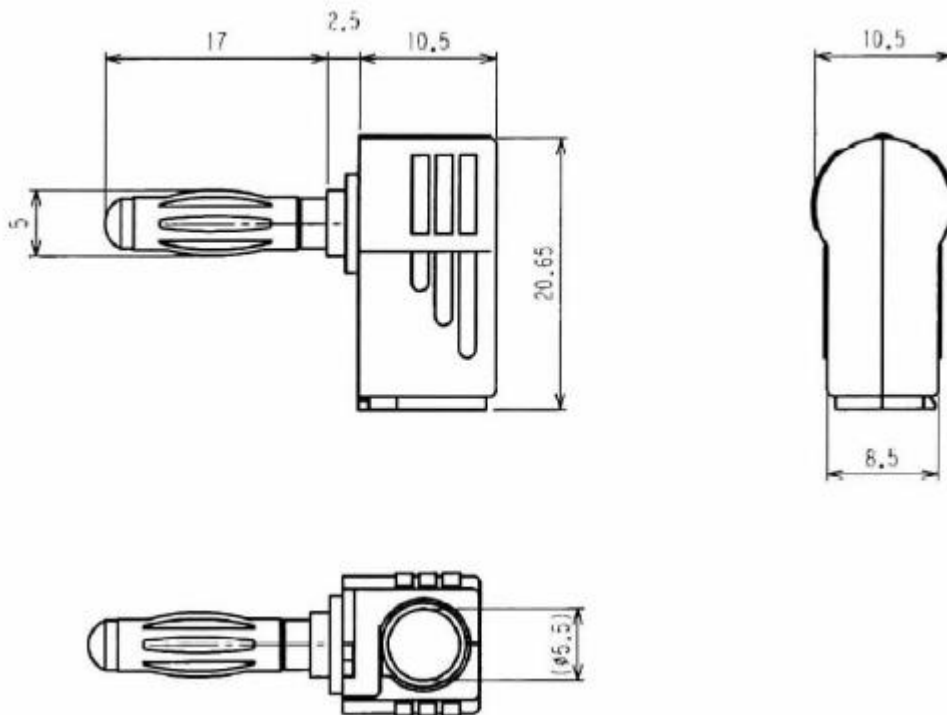


## Data Sheet

### Banana Plug MK-621L



	Material	Finish
CAP	PP	
Frame	Brass	Ni
Base	PC	
Contact	Brass	Ni
Contact	Brass	Ni

Insulation resistance: AC 500 V at min.

Dielectric Strength: 500 V AC for one minute