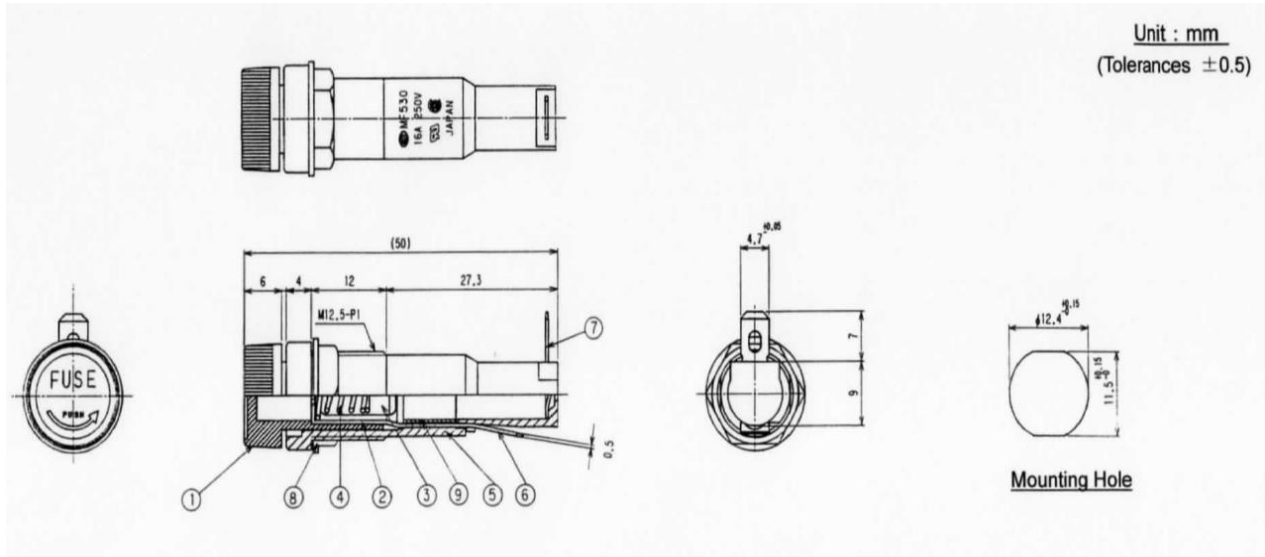


Fuse Holder, 16A 250V AC



Construction :

Name	Materials	Finish & Others
① Cap	PBT Resin	UL94V-0
② Cap Hardware	Brass	Nickel Plating
③ Clip Spring	Phosphor Bronze	Tin Plating
④ Spring A	Piano Wire	Nickel Plating
⑤ Body	PBT Resin	UL94V-0
⑥ Side Terminal	Brass	Tin Plating
⑦ End Terminal	Brass	Tin Plating
⑧ Nut	Polyamide Resin	UL94-HB
⑨ Insulator	Polycarbonate Resin	UL94V-2

Voltage Rating:	250V/ AC
Current Rating:	16 A
Rated Power Acceptance:	16A 250V AC
Matching Fuse:	6.35 x 31.8 mm 6.4 x 30 mm
Cap release:	BAYONET type
Body Material:	P.B.T.
Approval:	UL E89872 , CSA LR59229