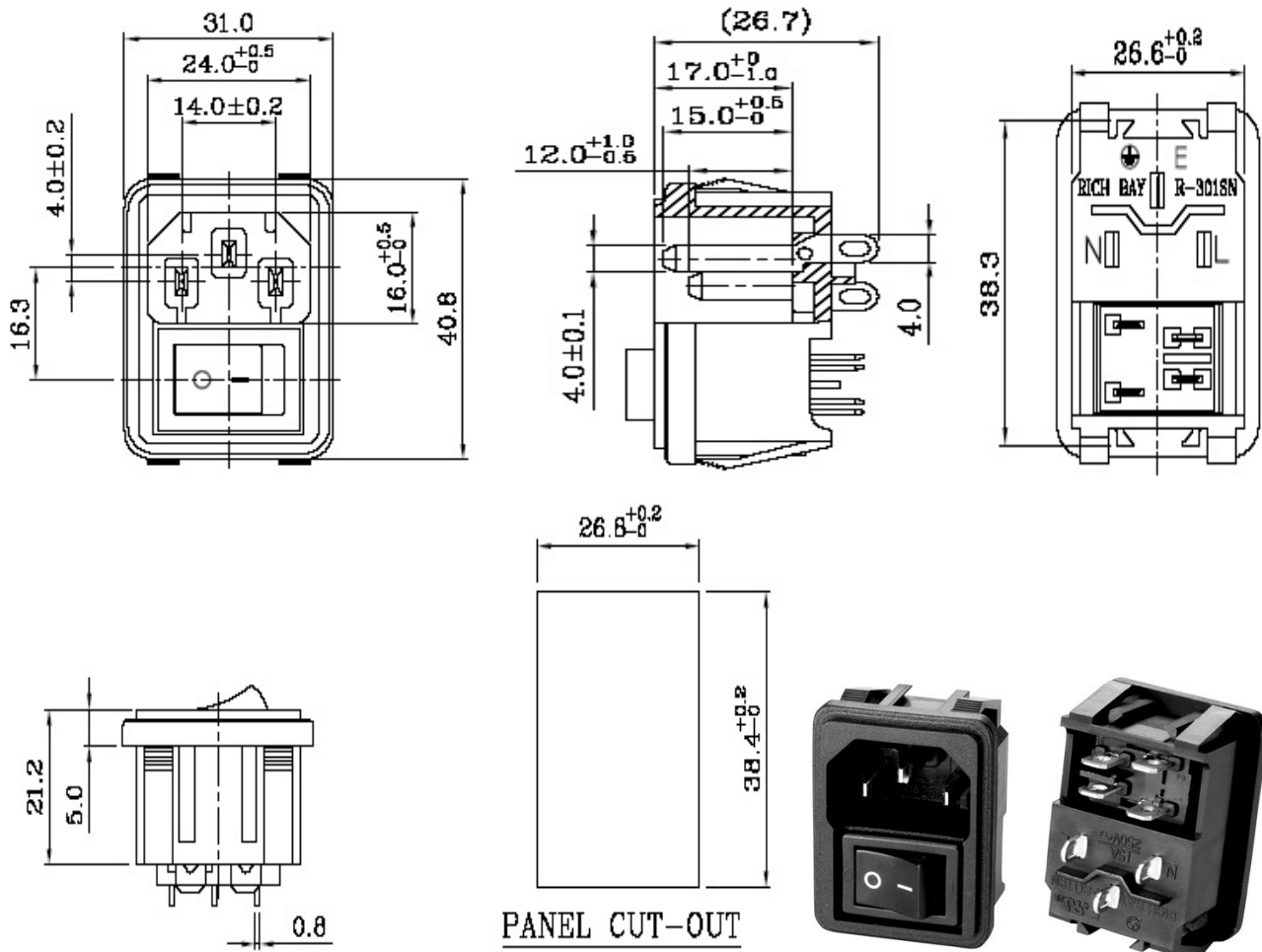


Powered by

## IEC connector C14 Plug, vertical mount



Standard: IEC 60320 C14

Rating: 15A 250V AC / 10A 250V AC

Insulation Resistance: 100MΩ 500V DC/1 minute

Dielectric Strength: 2000V AC/1 minute

Housing Material: Thermoplastic 94V-2~V-0