

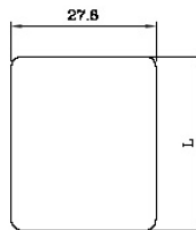
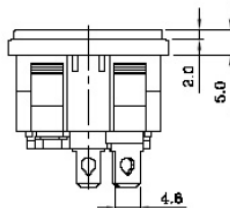
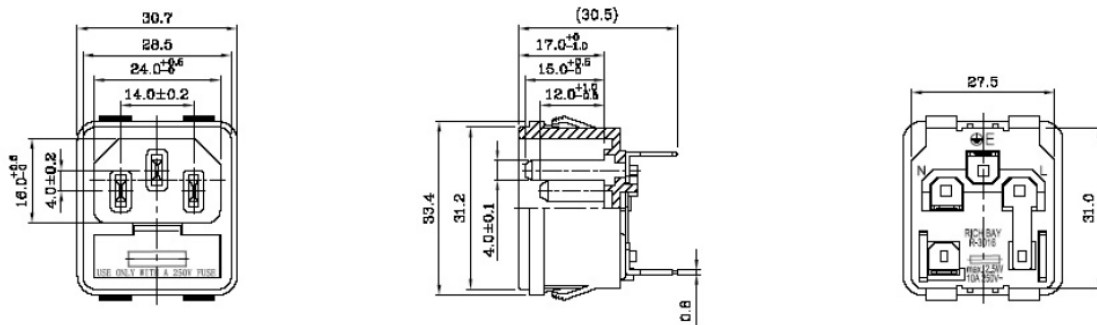
# Datasheet

Item no. 1567153

V1\_04202018\_01\_en

Powered by



## AC Socket with Fuse Holder



Thickness	L
1.5	32.2
2.0	32.4
2.5	32.6
3.0	32.8

**SPECIFICATION:**

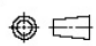
1. Insulation Resistance: Over 100MΩ at 500V DC.
2. Dielectric strength: 2000V AC 1 Minute.
3. Body Material: Thermoplastic B4V-2~V-0.

Rating: AC 16A 250V	
Mark	Safety Regulation
	CULUS
Rating: AC 10A 250V	
Mark	Safety Regulation
	VDE

**RECOMMEND  
PANEL CUT OUT**

DRAWING: C:\DG\NEW-R\T\3016\00).DWG

**IMPORTANT THIS DRAWING FOR REFERENCE ONLY**

	UNIT	UNIT QTY	SCALE	TOLERANCE	X.XX±0.1 XX.XX±0.2 XXX.XX±0.3	PRODUCT NO.	R-3016 (00)	REV
	mm	1	1:1					
DRAWN BY	APPROVED BY			ID NO	070812A02	INTERIM NO.	P060118A06	A
				DESCRIPTION	NEW NO.			