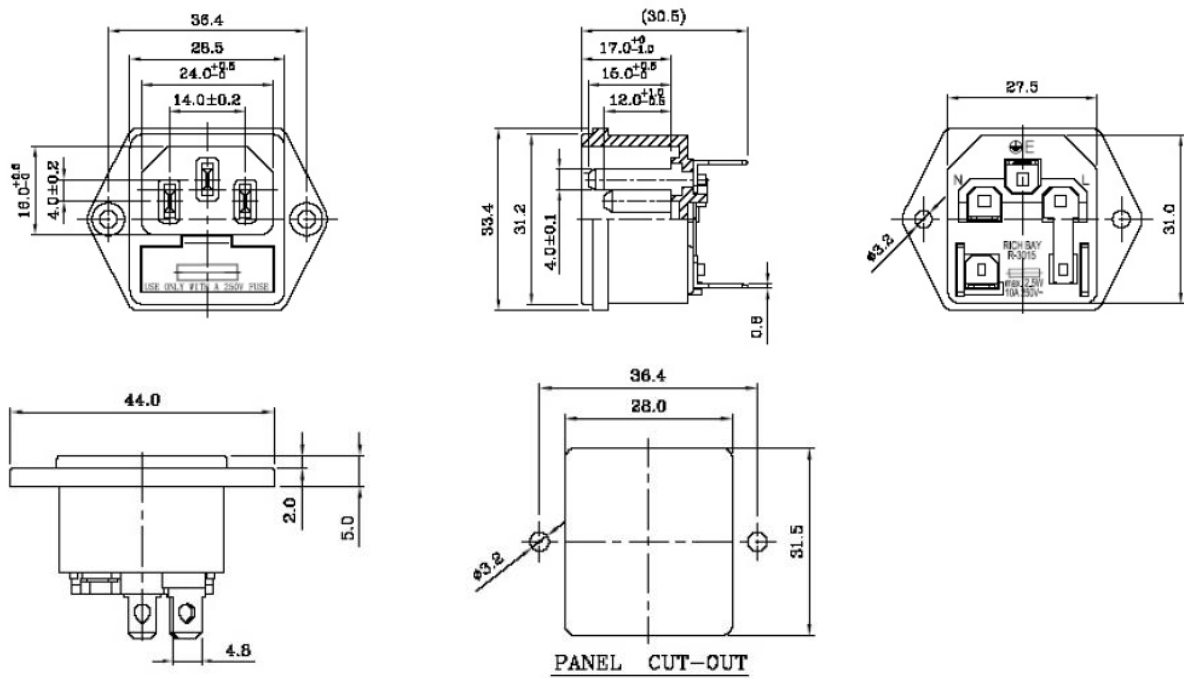


Data Sheet

IEC connector C14 plug



Total number of pins	3
Colour	Black
Connection	Type C CEE 7/16 plug 4.8 mm
Plug standard (IEC 60320)	C14
Nominal current	10 A

Data Sheet

Nominal voltage	250 V
Number of pins	3
Connector type	Plug, vertical mount
Fitting type (details)	Flange
RoHS-compliant	Yes
Product type	IEC connector