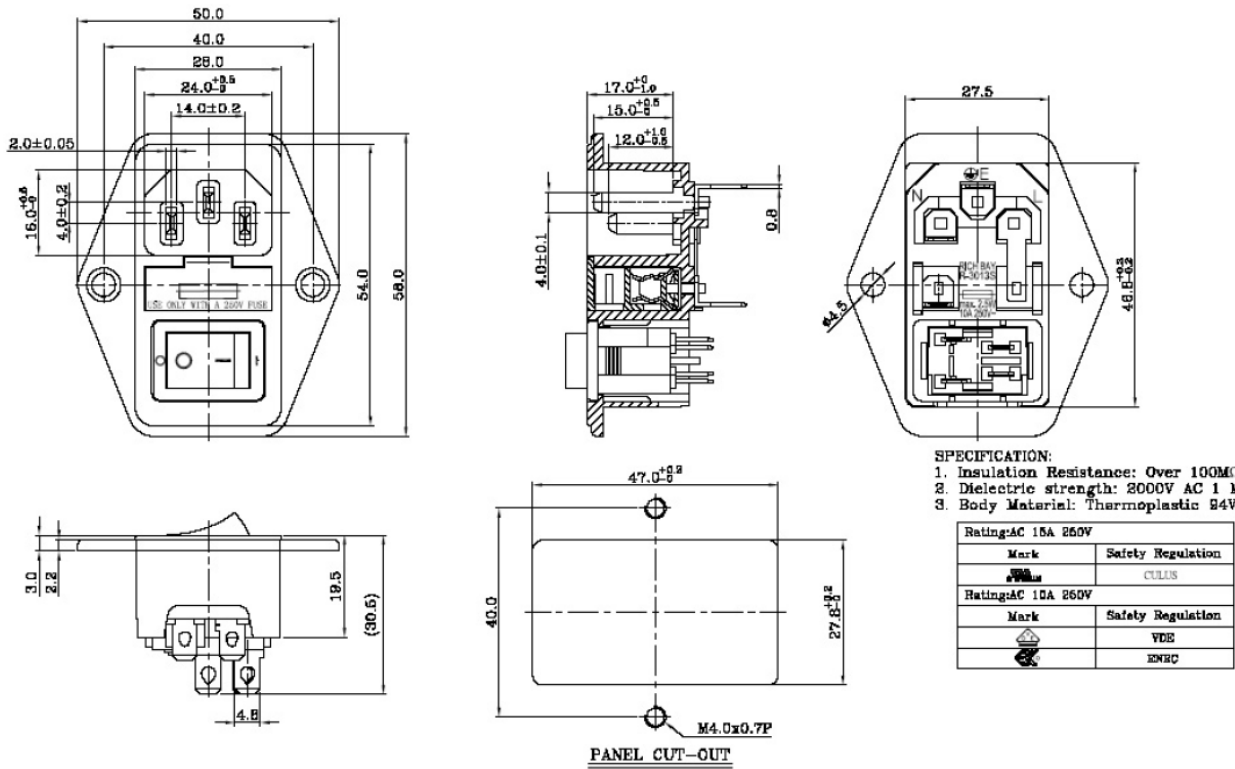


IEC connector C14 plug, panel-mounted vertically



DRAWING: C:\DG\NEW-R\T\3013S\R-3013S (01, 02). DWG

	UNIT	UNIT QTY	SCALE	TOLERANCE	X.XX±0.1
	mm	1	1:1		XX.XX±0.2

Max. Voltage:	250V/ AC
Max. Current:	10 A
Max. Conductor Resistance:	50Ω
Operating Temperature:	-20°C to 50°C (± 3°C)