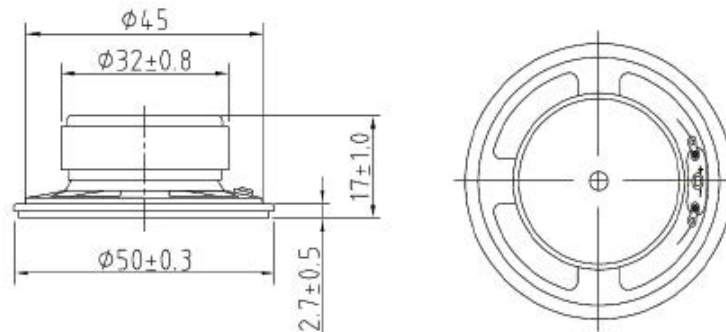


## Waterproof Speaker, dia. 50mm

MODEL: YD50-1-8F32M-G



ITEMS	SPECIFICATIONS
1. DIMENSIONS	$\phi 50\text{mm}$
2. IMPEDANCE	$8 \pm 15\% \text{ ohm ( 1 kHz 1.0V )}$
3. INPUT	RATED 0.25w , MAX 0.5 w
4. LOWEST RESONANT FREQUENCY	550Hz $\pm 20\%$ ( 1.0 V)
5. SOUND PRESSURE LEVEL	84dB $\pm 3$ dB/w ( 1 w , 1 m)AVERAGE AT 0.6; 0.8; 1.0; 1.2 KHz
6. EFFECTIVE FREQUENCY RANGE	FO ~ 45 KHz
7 MAX. INPUT POWER	0.5 W MUST BE NORMAL AT A WHITE NOISE FOR ONE MIN.
8. OPERATION	0.25 W
9. DISTORTION FACTOR	< 5% MAX (AT 1.0KHz 0.25W 1M)
10 BUZZ & RATTLE TEST	1.41 V FO ~ 45 KHz
11. VAS	LITERS
12. POLARITY	WHEN A POSITIVE DC CURRENT IS APPLIED TO THE TERMINAL MARKED +, THE DIAPHRAGM SHALL MOVE FORWARD
13. MAGNET	$\phi 32 \times 6\text{mm}$
14. WEIGHT	Approx. 48g
15. DROP TEST	DROP THE SPEAKER CONTAINED IN NORMAL BOX ONTO A BROAD 5MM THICK 18 TIMES FROM A HEIGHT OF 1M
16. LOAD TEST	At( 0.25 W) WHITE NOISE IS APPLIED BOX ONTO THE SPEAKER MUST MEET ITEM 10 AFTER TEST
17. HIGH TEMPERATURE TEST	+70°C $\pm 3^\circ\text{C}$ 50% R.H. (96 Hr) AND LEFT (1 Hr) IN A ROOM THE SPEAKER MUST MEET ITEM 4. & 9. AFTER TEST.
18. HUMIDITY TEST	+40°C $\pm 3^\circ\text{C}$ 90% R.H. (96 Hr) AND LEFT (1Hr) IN A ROOM. THE SPEAKER MUST MEET ITEM4. & 9. AFTER TEST.
19. Operation Temperature	-10 ~ 60°C

Unit: mm

This is a publication by Conrad Electronic SE, Klaus-Conrad-Str. 1, D-92240 Hirschau (www.conrad.com).

All rights including translation reserved. Reproduction by any method, e.g. photocopy, microfilming, or the capture in electronic data processing systems require the prior written approval by the editor. Reprinting, also in part, is prohibited. This publication represents the technical status at the time of printing.

© Copyright 2017 by Conrad Electronic SE.