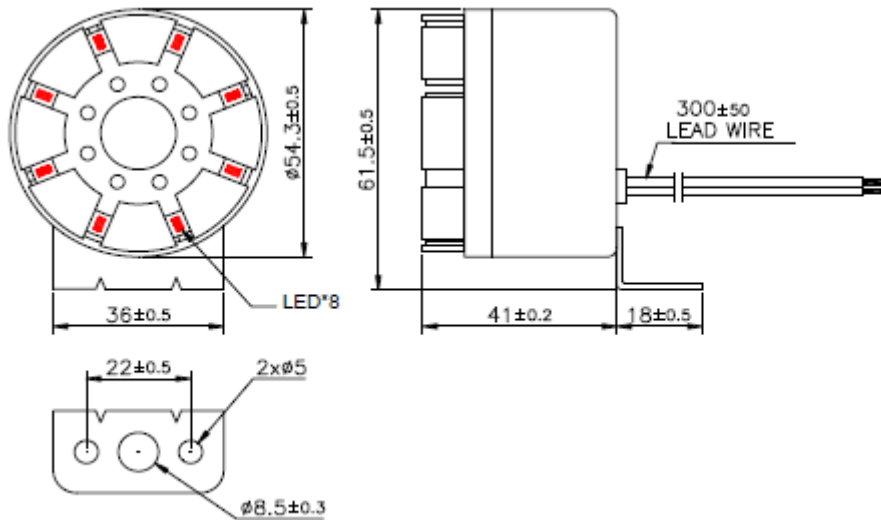


Piezo Siren, RED



Unit : mm

Resonant Frequency :	2.8 ± 0.5 KHz
Operating Voltage :	5 ~ 15 Vdc
Rated Voltage:	12 Vdc
Current Consumption :	200 mA/max. at Rated Voltage
Sound Pressure Level :	105 dB/min. at 100cm at Rated Voltage
Tone/Pulse Rate :	Pulse 1.2 Hz ± 20%
LED Colour :	Red
Operating Temperature :	-20 °C ~ +70°C

Datasheet

Item no. 1567766

V1_07272018_01_en

Material

Housing	ABS 757 UL94HB plastic resin (Color : Black)
Leading Wire	20 AWG
Weight (Gram)	78

Reliability

ITEMS	METHOD OF TEST AND MEASUREMENTS	PERFORMANCE
<i>Coldness withstanding</i>	<i>After 98 hours of being exposed to -30 °C environment, should be returned to normal environment for 2 hours, then re-proceed to test.</i>	<i>No abnormality shall exist</i>
<i>Hotness withstanding</i>	<i>After 98 hours of being exposed to +80 °C environment, should be returned to normal environment for 2 hours, then re-proceed to test.</i>	<i>No abnormality shall exist</i>
<i>Humidity withstanding</i>	<i>After 98 hours of being exposed to 40 °C 95%RH environment in actual operation, should be returned to normal environment for 2 hours, then re-proceed to test.</i>	<i>No abnormality shall exist</i>
<i>Durability</i>	<i>10sec on/10sec off ; 1000hours(180000 cycles)</i>	<i>No abnormality shall exist</i>
<i>Vibration withstanding</i>	<i>Linear vibrate frequency rate: 5~55Hz Time:180sec , applied in X, Y and Z directions for 3 times each.</i>	<i>No abnormality shall exist</i>