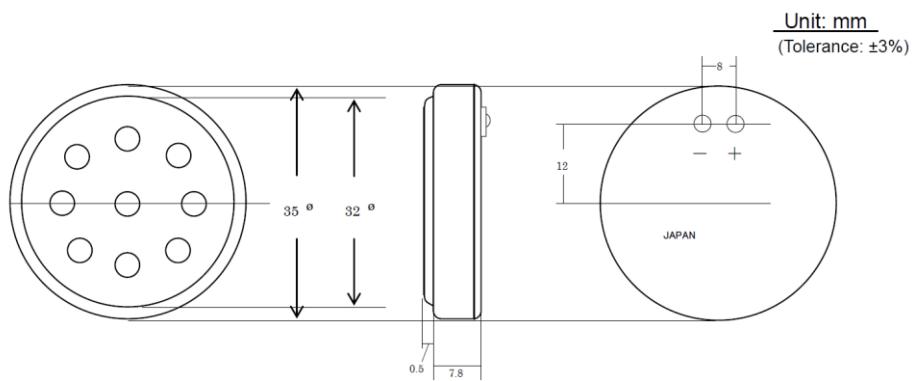
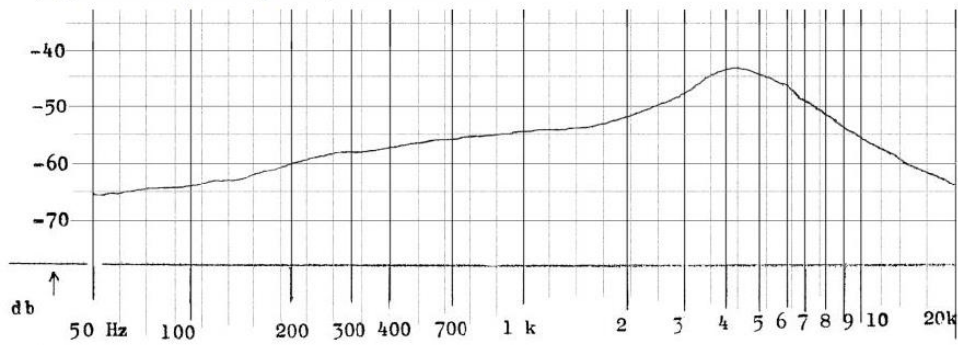


Data Sheet

Microphone capsule



Typical frequency response curve:



Data Sheet

Specification:

Sensitivity : -55 db at 1 kHz

Response : 100Hz — 10kHz

Capacity : 750 pF at 1 kHz 25°C

Directivity Non-directional

Impedance : 230 k Ω

Material : Aluminum

Weight : 5 g

Operating Temperature : - 20°C ~ +80°C