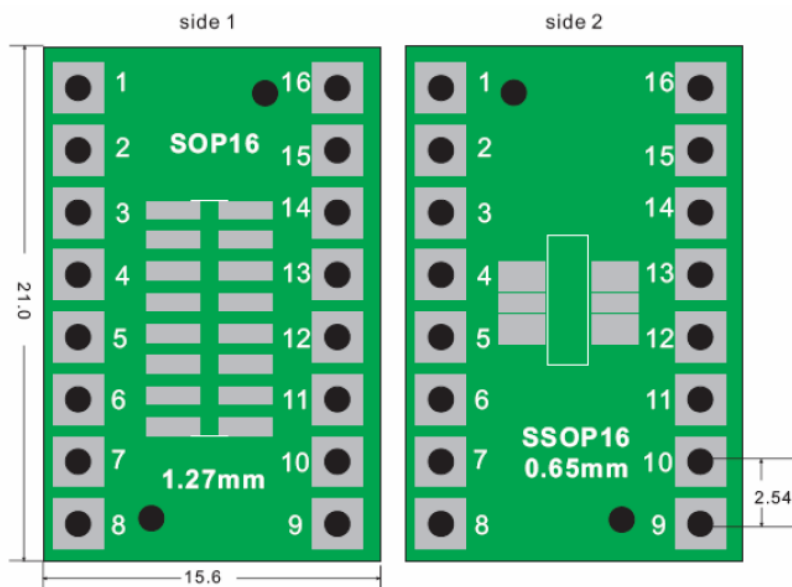


No. 1568247



Technical data

Function:
SOP 16 & SSOP16 package to DIP

Technical Data:

Board Material	FR-4
SMD package	SOP16 (side 1) SSOP16 (side 2)
Pitch (thin Leads)	1.27 (Side 1) 0.65 (Side 2)
Board Thickness	1.6mm ± 0.1mm
Surface Technioque	Spray tin 5-8um
Copper Thickness	35um ± 5um
Solderability	260°C at 3s - 1.1%
Flammability	V-0
Surface Resistivity	1.0 x 106 MΩ
Volume Resistivity	1.0 x 108 MΩ - cm
Arc Resistance	125sec.